

**OUTDOOR
APPROVED**

**BUILD IT
YOUR WAY**
EXPLORE OUR
FABRIC OPTIONS



BALTA DINING CHAIR

Sleek and substantial metal dining chair. Cushion comes upholstered in our base fabric, Aisek Ivory. Upgrade fabrics available. All in-stock upholstered pieces have a 2-3 week lead time.

MATERIAL
Metal

DIMENSIONS
Overall: 22"W x 27"D x 39"H
Arm Height: 25"
Seat Depth: 20"
Seat Height: 19"
Seat Height (without cushion): 17"
Cushion height may vary from 1/2 to 1 inch

UPHOLSTERY INFORMATION
Types of Fabric: Can be upholstered with our outdoor fabric options or COM/COL.

COM YARDAGE REQUIREMENT
Solid: Requires 3 Yards
Pattern: Yardage amount may vary depending on pattern orientation and pattern repeat. Please call for quote.

WEIGHT
41 lbs

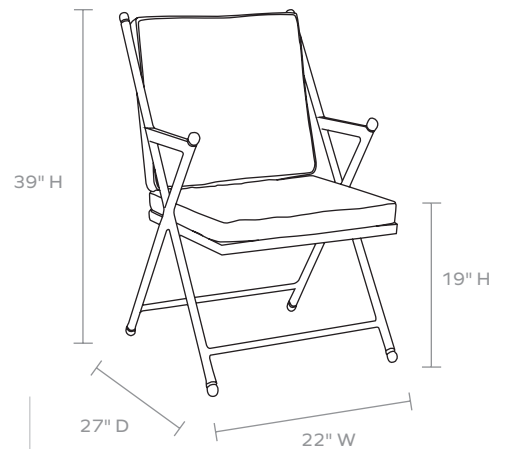
This item is handcrafted and may show slight variation in size from one piece to another.



FINISH



Ash Gray



FABRIC WIDTH	FABRIC REPEAT						
	Plain < 1"	1" - 6"	7" - 14"	15" - 20"	21" - 27"	28" - 36"	Full Width Centered
54"	0%	15%	30%	35%	40%	45%	100%