

**OUTDOOR
APPROVED**

**BUILD IT
YOUR WAY**
EXPLORE OUR
FABRIC OPTIONS



HENDRICK CHAISE LOUNGE CHAIR

In designing a perfect chaise, several elements needed to be considered. When being used, the Hendrick is easy to adjust, includes low arm rests and a plush cushion for comfort. Aesthetically, the textures, weaving, colors and forms blend together to create a chaise that enhances the design of an outdoor space. A kiln-dried teak or aluminum frame and weaving made from marine-grade cording lets you know it will last. When combined, the Hendrick will elevate your expectations of what a chaise can be! Cushion comes upholstered in our basic fabric, Alsek White. Upgrade fabrics available.

MATERIAL

Performance Rope/Aluminum, Twisted Faux Wicker/Teak

DIMENSIONS

78"L x 28"W x 21" H
Arm Height: 20"
Seat Depth: 48"
Seat Height: 18"
Seat Height (withouth cushion): 12"

UPHOLSTERY INFORMATION

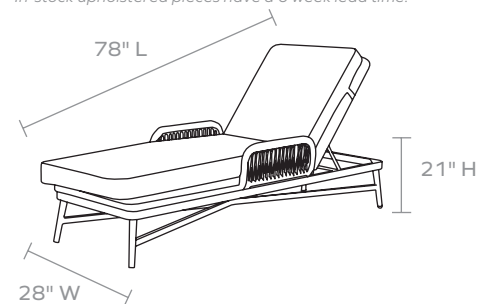
Types of Fabric: Can be upholstered with our outdoor fabric options or COM/COL.

COM YARDAGE REQUIREMENT

Solid: Requires 6 Yards
Pattern: Yardage amount may vary depending on pattern orientation and pattern repeat. Please call for quote.

This item is handcrafted and may show slight variation in size from one piece to another.

In-stock upholstered pieces have a 6 week lead time.



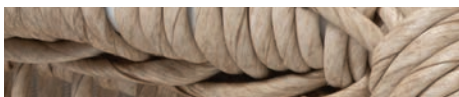
FINISHES



Dark Navy/Charcoal



Dark Navy/White



Natural

FABRIC WIDTH

FABRIC REPEAT

FABRIC WIDTH	FABRIC REPEAT						
54"	Plain < 1"	1" - 6"	7" - 14"	15" - 20"	21" - 27"	28" - 36"	Full Width Centered
	0%	15%	30%	35%	40%	45%	100%