



JOLIE COUNTER STOOL

We've refreshed & refined a classic for our seating and counter stool collection. The director chair. Built with upgraded details (sturdy canvas, handsome, dark-stained teak wood, brass details), this icon can now carry the Made Goods' name.

MATERIAL

Performance Rope

DIMENSIONS

22"W x 22"D x 37"H

Seat Depth: 22"

UPHOLSTERY INFORMATION

Types of Fabric: Can be upholstered with our outdoor fabric options or COM/COL.

COM YARDAGE REQUIREMENT

Solid: Requires 1 Yard

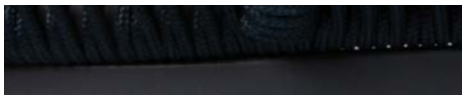
Pattern: Yardage amount may vary depending on pattern orientation and pattern repeat. Please call for quote.

This item is handcrafted and may show slight variation in size from one piece to another.

In-stock upholstered pieces have a 6 week lead time



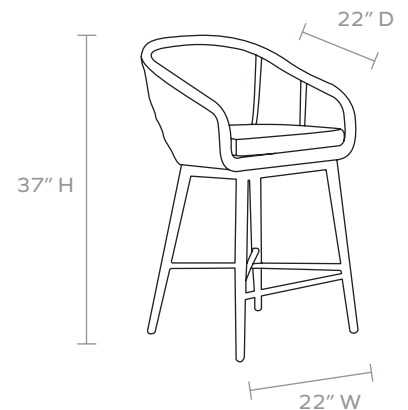
FINISHES



Dark Navy/Charcoal



Slate/Charcoal



FABRIC WIDTH	FABRIC REPEAT						
	Plain < 1"	1" - 6"	7" - 14"	15" - 20"	21" - 27"	28" - 36"	Full Width Centered
54"	0%	15%	30%	35%	40%	45%	100%