

**BUILD IT
YOUR WAY**
EXPLORE OUR
FABRIC OPTIONS



MADISEN

Pairing an ornate shaped back with the clean Scandinavian line of the tapered legs makes the Madisen collection a charmer for any dining room table.

MATERIAL

Oak, Wood

DIMENSIONS

18.5"W x 23"D x 40"H

Seat Depth: 19.5"

Seat Height: 20"

Cushion height may vary from 1/2 to 1 inch

UPHOLSTERY INFORMATION

Types of Fabric: Can be upholstered with our fabric/leather* options or COM/COL

COM YARDAGE REQUIREMENT

Solid: Requires 2.5 Yards

Pattern: Yardage amount may vary depending on pattern orientation and pattern repeat. Please call for quote.

WEIGHT

20lbs

This item is handcrafted and may show slight variation in size from one piece to another.

In-stock upholstered pieces have a 6 week lead time.

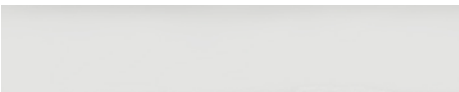
FINISH



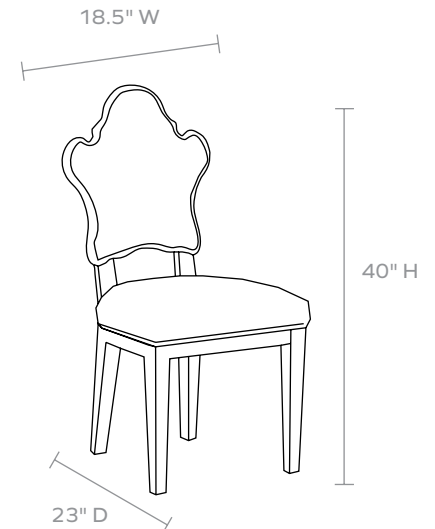
Cerused White



Dark Gray Wood



Glossy White Wood



FABRIC WIDTH	FABRIC REPEAT						
	Plain < 1"	1" - 6"	7" - 14"	15" - 20"	21" - 27"	28" - 36"	Full Width Centered
54"	0%	15%	30%	35%	40%	45%	100%