

**OUTDOOR
APPROVED**

**BUILD IT
YOUR WAY**
EXPLORE OUR
FABRIC OPTIONS



NIMA

Our Nima outdoor lounge chair is a natural wonder. This peacock chair features a scalloped seatback in flat-weave faux rattan. Its light honey finish is neutral and warm. Cushion comes upholstered in our base fabric, Aisek White and can be upholstered in any of our upgrade fabrics, or your own COM/COL. All in-stock upholstered pieces have a 2-3 week lead time.

MATERIAL

Faux Rattan

DIMENSIONS

45"W x 33"D x 57"H

Arm Height: 25.5"

Seat Depth: 24.25"

Seat Height: 17.25"

Seat Height (without cushion): 13"

Cushion height may vary from 1/2 to 1 inch.

UPHOLSTERY INFORMATION

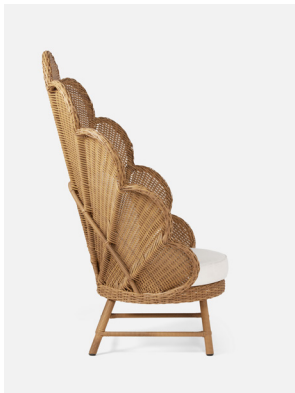
Types of Fabric: Can be upholstered with our outdoor fabric options or COM/COL.

COM YARDAGE REQUIREMENT

Solid: Requires 2 Yards

Pattern: Yardage amount may vary depending on pattern orientation and pattern repeat. Please call for quote.

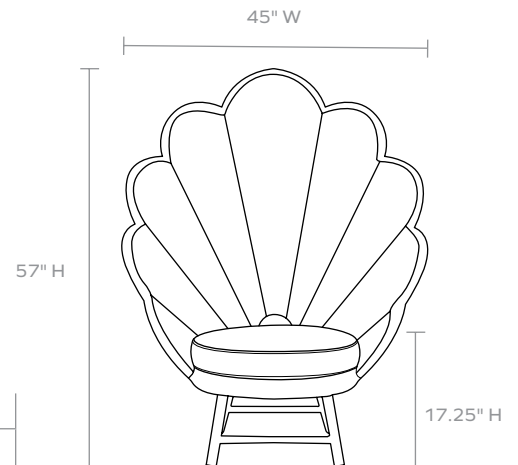
This item is handcrafted and may show slight variation in size from one piece to another.



FINISH



Light Honey



FABRIC WIDTH	FABRIC REPEAT						
54"	Plain < 1" 0%	1" - 6" 15%	7" - 14" 30%	15" - 20" 35%	21" - 27" 40%	28" - 36" 45%	Full Width Centered 100%