

**OUTDOOR  
APPROVED**

**BUILD IT  
YOUR WAY**  
EXPLORE OUR  
FABRIC OPTIONS



## SOMA LOUNGE CHAIR

Drawing inspiration from the early 20th century, the classic era of wicker furniture, the Soma is intricately woven and detailed. Updated in durable faux rattan and proportioned for modern use. A unique take on a timeless form. Cushion comes upholstered in our base fabric, Alsek White. Upgrade fabrics available.

### MATERIAL

Twisted Faux Wicker

### DIMENSIONS

32"W x 31"D x 32"H

Seat Height: 17"

Seat Height (without upholstery): 12"

### UPHOLSTERY INFORMATION

Types of Fabric: Can be upholstered with our outdoor fabric options or COM/COL

### COM YARDAGE REQUIREMENT

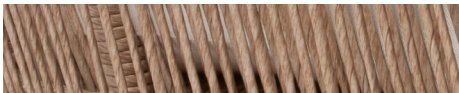
Solid: Requires 3 Yard of fabric

Pattern: Yardage amount may vary depending on pattern orientation and pattern repeat. Please call for quote.

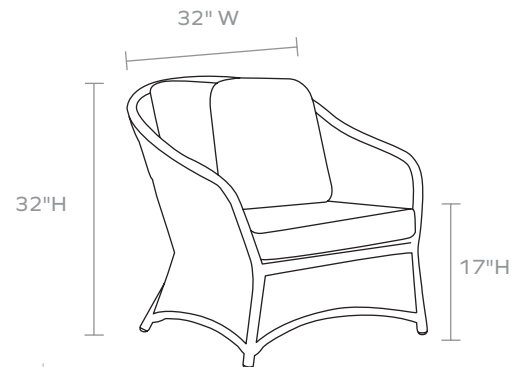
*This item is handcrafted and may show slight variation in size from one piece to another.*

*In-stock upholstered pieces have a 6 week lead time.*

### FINISH



Natural



FABRIC WIDTH	FABRIC REPEAT						
	Plain < 1"	1" - 6"	7" - 14"	15" - 20"	21" - 27"	28" - 36"	Full Width Centered
54"	0%	15%	30%	35%	40%	45%	100%