

**BUILD IT
YOUR WAY**
EXPLORE OUR
FABRIC OPTIONS



TATUM UPHOLSTERED BAR STOOL

Our Tatum elevates the classic rattan bar and counter stool to a more refined status. To complement the rounded and finely woven rattan back, choose a seat in customizable upholstery or in a natural flat rattan—and woven in an eye-catching chevron pattern. In-stock upholstered pieces have a 6-8 week lead time.

MATERIAL

Flat Rattan

DIMENSIONS

20"W x 22"D x 40"H

Seat Depth: 17"

Seat Height: 32"

Footrest Height: 12.5"

Cushion height may vary from 1/2 to 1 inch.

UPHOLSTERY INFORMATION

Types of Fabric: Can be upholstered with our fabric/ leather options* or COM/COL.

COM YARDAGE REQUIREMENT

Solid: Requires .5 Yard

Pattern: Yardage amount may vary depending on pattern orientation and pattern repeat. Please call for quote.

WEIGHT

15 lbs

This item is handcrafted and may show slight variation in size from one piece to another.

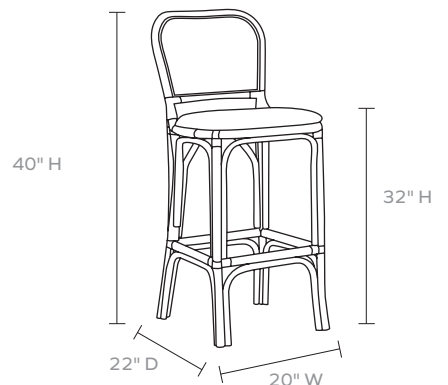
**Not available in Jullian.*



FINISH



Natural



FABRIC WIDTH	FABRIC REPEAT						
54"	Plain < 1" 0%	1" - 6" 15%	7" - 14" 30%	15" - 20" 35%	21" - 27" 40%	28" - 36" 45%	Full Width Centered 100%