

**BUILD IT  
YOUR WAY**  
EXPLORE OUR  
FABRIC OPTIONS



## EVERETT

The antique empire look of this chair is given a bold update with our olive ash veneer. The dramatic pattern of the natural material breaks up the solidity of the Everett's silhouette, a contemporary take on a '30s-inspired piece. In-stock upholstered pieces have a 6-8 week lead time.

### MATERIAL

Veneer\*

### DIMENSIONS

22"W x 24"D x 38"H

Arm Height: 26"

Seat Depth: 20"

Seat Height: 20"

*Cushion height may vary from 1/2 to 1 inch*

### UPHOLSTERY INFORMATION

Types of Fabric: Can be upholstered with our fabric/leather options or COM/COL.

### COM YARDAGE REQUIREMENT

Solid: Requires 1.5 Yards

Pattern: Yardage amount may vary depending on pattern orientation and pattern repeat. Please call for quote.

### WEIGHT

27 lbs

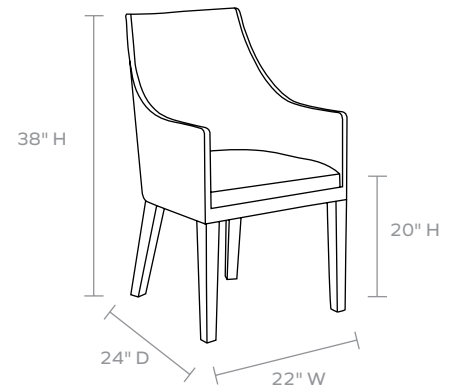
*This item is handcrafted and may show slight variation in size from one piece to another.*

*\*Natural variations in this material may occur.*

### FINISH



Olive Ash



### FABRIC WIDTH

### FABRIC REPEAT

FABRIC WIDTH	Plain < 1"	1" - 6"	7" - 14"	15" - 20"	21" - 27"	28" - 36"	Full Width Centered
54"	0%	15%	30%	35%	40%	45%	100%