

**BUILD IT
YOUR WAY**
EXPLORE OUR
FABRIC OPTIONS



GIBSON

Dramatic and oversized kismet chair is both stately & playful. Molded from clear acrylic and perfectly proportioned with an upholstered seat. In-stock upholstered pieces have a 6-8 week lead time.

MATERIAL

Acrylic

DIMENSIONS

24"W x 23"D x 34"H

Seat Depth: 18.5"

Seat Height: 19"

Seat Height (without upholstery): 16"

Cushion height may vary from 1/2 to 1 inch

UPHOLSTERY INFORMATION

Types of Fabric: Can be upholstered with our fabric/leather options or COM/COL.

COM YARDAGE REQUIREMENT

Solid: Requires 1 Yard

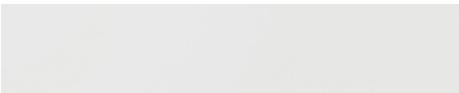
Pattern: Yardage amount may vary depending on pattern orientation and pattern repeat. Please call for quote.

WEIGHT

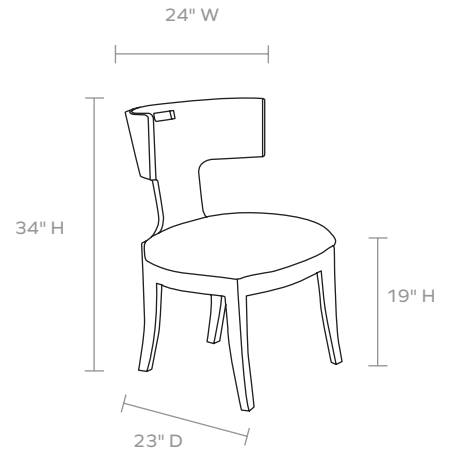
30 lbs



FINISH



Clear



FABRIC WIDTH	FABRIC REPEAT						
	Plain < 1"	1" - 6"	7" - 14"	15" - 20"	21" - 27"	28" - 36"	Full Width Centered
54"	0%	15%	30%	35%	40%	45%	100%