

**OUTDOOR
APPROVED**

**BUILD IT
YOUR WAY**
EXPLORE OUR
FABRIC OPTIONS



HADLEY COUNTER STOOL

With the kismet-shaped Hadley, we've added a versatile option to our outdoor seating offering. Straight lines, a mesh back and seat, and curved legs combine to create a modern metal chair powder coated for protection against the elements. You can use the Hadley both indoors and out. Cushion can be upholstered with one of our luxe upholstery fabrics.

MATERIAL

Metal

DIMENSIONS

19"W x 20"D x 44"H

Seat Height without cushion (Edge): 27.75"

Seat Height without cushion (Middle): 26.25"

Seat Height with cushion: 29.75"

Seat Depth: 17"

Footrest Height: 10.5"

Cushion height may vary from 1/2 to 1 inch

UPHOLSTERY INFORMATION

Types of Fabric: Can be upholstered with our outdoor fabric options or COM/COL.

COM YARDAGE REQUIREMENT

Solid: Requires 2 Yards

Pattern: Yardage amount may vary depending on pattern orientation and pattern repeat. Please call for quote.

WEIGHT

23 lbs

This item is handcrafted and may show slight variation in size from one piece to another.

FINISHES



Black Mesh



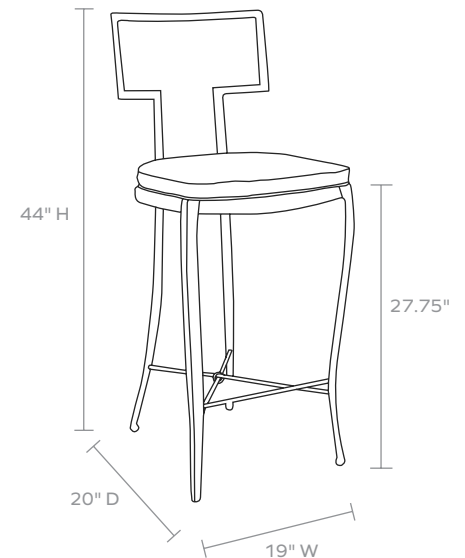
Gold Mesh



Silver Mesh



White Mesh



FABRIC WIDTH

FABRIC REPEAT

FABRIC WIDTH	Plain < 1"	1" - 6"	7" - 14"	15" - 20"	21" - 27"	28" - 36"	Full Width Centered
54"	0%	15%	30%	35%	40%	45%	100%