

HARRISON

Striped onyx, a material used since ancient times when it was thought to cure depression, is what creates the striking look of the one-of-a-kind Harrison. The shades of striated beige, gray, and brown vary with each mirror, giving it the feel of a work of art. The thick frame makes the Harrison a substantial piece, with hues that can accentuate and highlight a number of color combinations.

MATERIAL

Onyx*

DIMENSIONS

A. 26"W x 38"H

B. 30"W x 40"H

Depth: 2"

REFLECTION AREA

A. 16"W x 30"H

B. 22"W x 32"H

TYPE OF HARDWARE

D Ring

Our mirrors are designed to be hung by a professional, usually by wire. Actual hanging specifics vary on a case by case basis and depend on several variables, including the mirror weight and wall type. Incorrect hanging can result in damage to the mirror or the wall. Made Goods is not responsible for damage due to incorrect hanging of our pieces.

HANGING ORIENTATION

Portrait/Landscape

WEIGHT

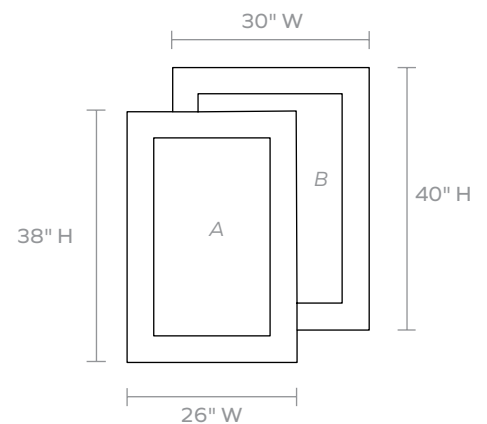
A. 50 lbs

B. 62 lbs

MIRROR TYPE

Normal

**Natural variation to be expected.*



FINISH



Light Mix