

**OUTDOOR
APPROVED**

**BUILD IT
YOUR WAY**
EXPLORE OUR
FABRIC OPTIONS



HELENA DINING CHAIR

All-weather cording is double layered around an inviting form. Graceful, curved details, a fully wrapped frame and a custom-fitted, all-weather cushion create a light and airy presence that is more than the sum of its elements. Cushion comes upholstered in our base fabric, Alsek White. Upgrade fabrics available. In-stock upholstered pieces have a 2-3 week lead time.

MATERIAL

Twisted Faux Wicker

DIMENSIONS

22"W x 25"D x 32"H

WEIGHT

12 lbs

UPHOLSTERY INFORMATION

Types of Fabric: Can be upholstered with our outdoor fabric options or COM/COL.

COM YARDAGE REQUIREMENT

Solid: Requires 1 Yard

Pattern: Yardage amount may vary depending on pattern orientation and pattern repeat. Please call for quote.

This item is handcrafted and may show slight variation in size from one piece to another.



FINISHES



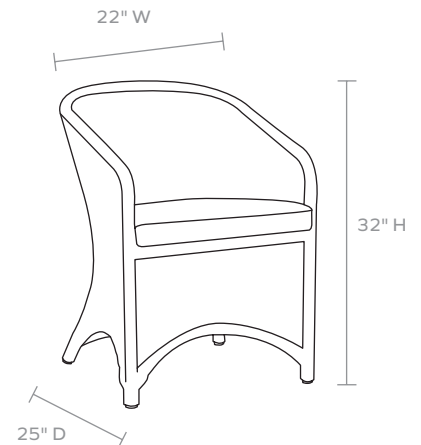
Natural



Charcoal



Speckled White



FABRIC WIDTH

FABRIC REPEAT

54"	Plain < 1"	1" - 6"	7" - 14"	15" - 20"	21" - 27"	28" - 36"	Full Width Centered
	0%	15%	30%	35%	40%	45%	100%