

**BUILD IT
YOUR WAY**
EXPLORE OUR
FABRIC OPTIONS



INES

A traditional Rajasthan bone inlay chair is subtly updated with a simplified pattern and fresh colors. Choose a fabric seat cover from our range of quality upholsteries. Shown in Aisek White. In-stock upholstered pieces have a 6-8 week lead time.

MATERIALS

Bone/Resin

DIMENSIONS

22"Wx21"Dx35"H

Seat Depth: 17"

Seat Height: 19"

Seat Height (without upholstery): 17"

Cushion height may vary from 1/2 to 1 inch.

WEIGHT

21 lbs

UPHOLSTERY INFORMATION

Types of Fabric: Can be upholstered with our fabric/leather options or COM/COL.

COM YARDAGE REQUIREMENT

Solid: Requires 1 Yard

Pattern: Yardage amount may vary depending on pattern orientation and pattern repeat. Please call for quote.

This item is handcrafted and may show slight variation in size from one piece to another.



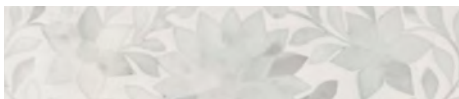
FINISHES



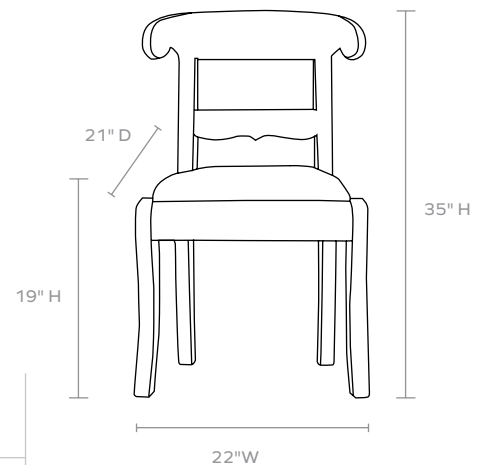
Natural/Black



Natural/Gray



Natural/White



FABRIC WIDTH

FABRIC REPEAT

| FABRIC WIDTH | Plain < 1" | 1" - 6" | 7" - 14" | 15" - 20" | 21" - 27" | 28" - 36" | Full Width Centered |
|--------------|------------|---------|----------|-----------|-----------|-----------|---------------------|
| 54" | 0% | 15% | 30% | 35% | 40% | 45% | 100% |