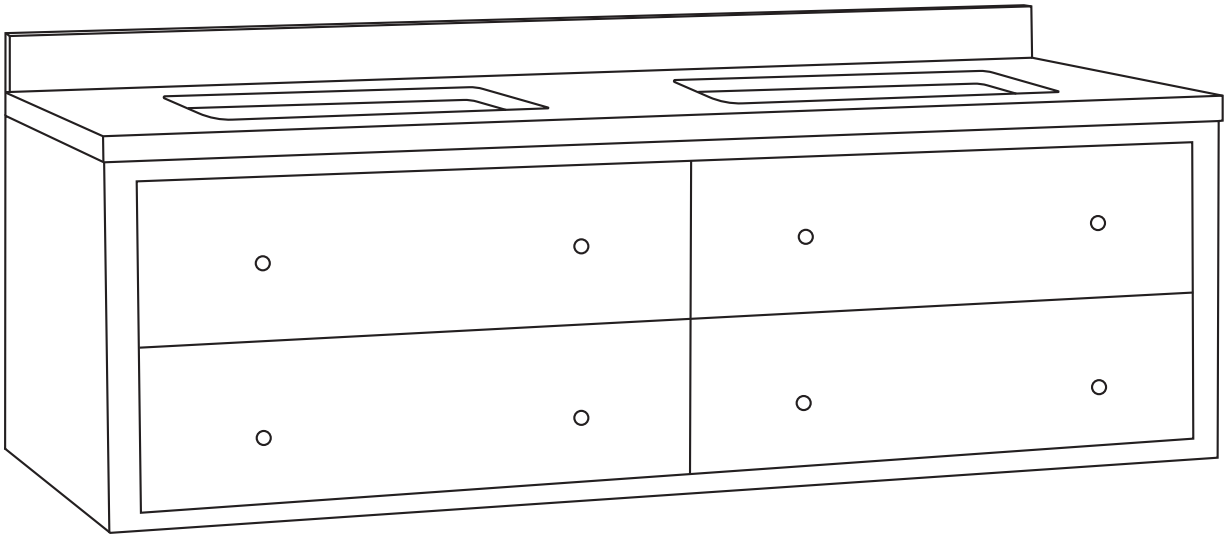




MADE GOODS

FLOATING VANITY INSTALLATION INSTRUCTIONS

28", 36", 48", 60", & 72" SIZE VANITIES



BEFORE BEGINNING INSTALLATION

Keep in mind that professional installation is required for this item. The wall and floor should be square. Plumb at the installation site. Water supply and drain piping are to be installed in accordance with local building and plumbing codes.

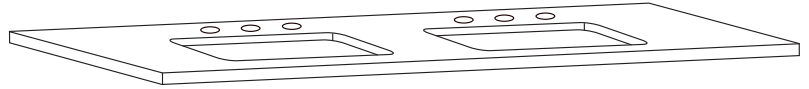
Tools and Materials Required:

Flat, nonabrasive work surface such as a blanket or smooth cardboard
Carpenter's level
Power tool for lag screws
Phillips head screwdriver
Sealant

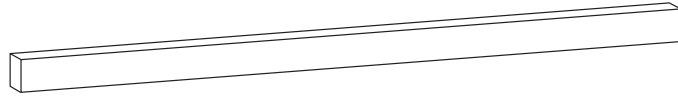
PARTS LIST

Disclaimer: Countertops, sinks, and vanity bases are shipped separately.

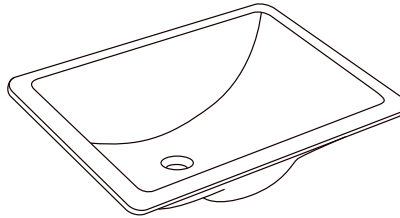
- Countertop (A) – sold separately



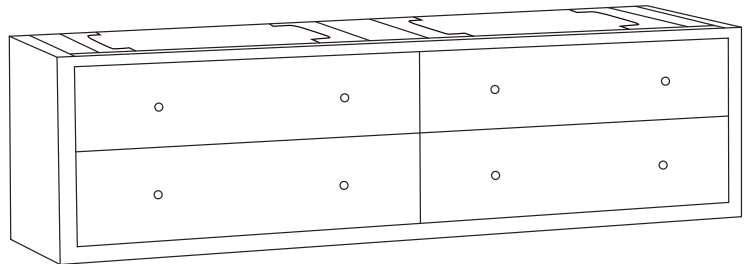
- Backsplash (B) – sold with countertop



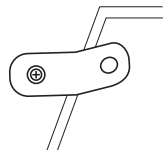
- Sink (C)
 - 28-48", x1 sink
 - 60-72", x2 sink



- Vanity Base (D)



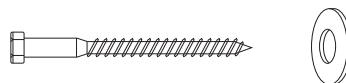
- "L" Bracket (E)
 - Includes screw and washer (preinstalled)



- Wood Hanger (F)

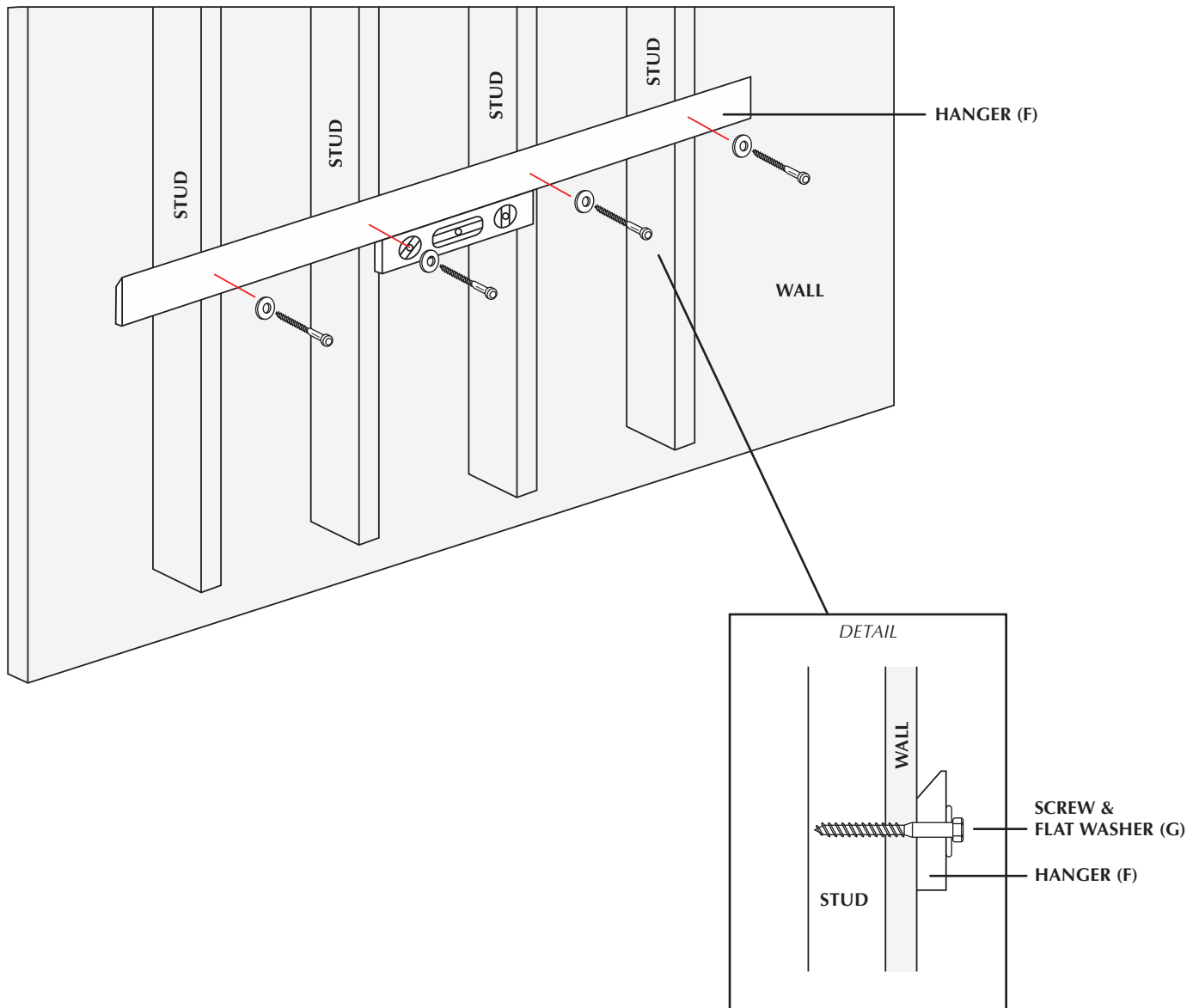


- Lag Screw + Flat Washer (G)
 - 28" – 6 pcs (lag screw + flat washer)
 - 36" & 48" – 9 pcs (lag screw + flat washer)
 - 60" & 72" – 12 pcs (lag screw + flat washer)



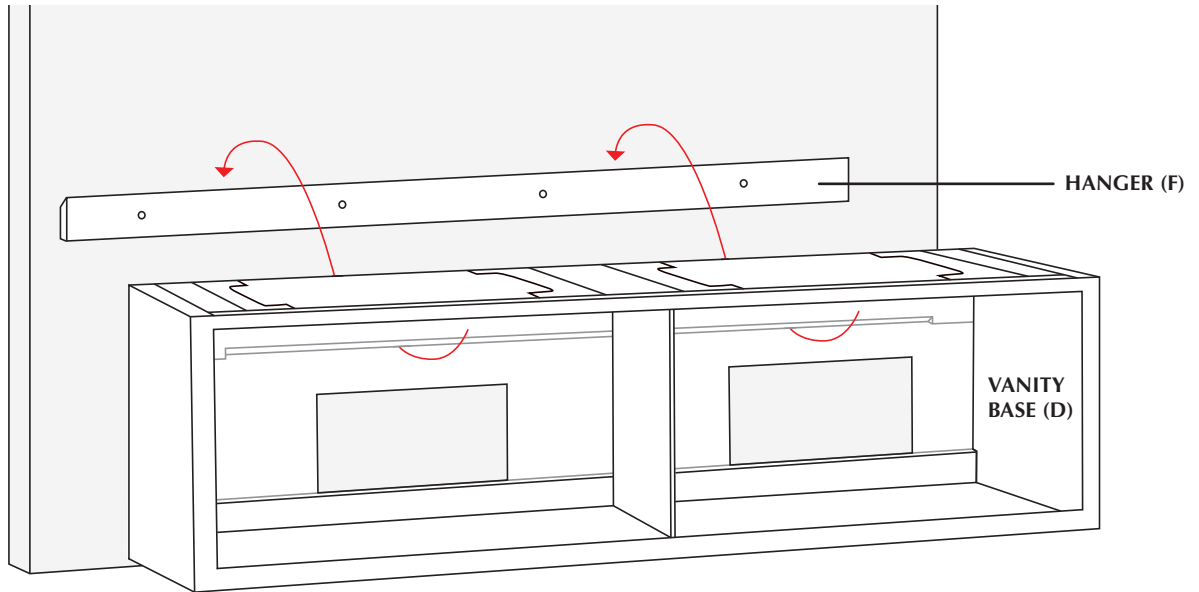
INSTALLATION INSTRUCTIONS

1. Hold the wood hanger (E) against the wall. The wood hanger must be level. Use carpenter's level as needed. Then adjust and mark the position with a pencil. For an overall height of 34.25 inches, the distance from the bottom of the wood hanger to the floor should be 28.25 inches. For sizes 28 and 36, 48 and 60, and 72 inches, the wood hanger must cross two, three, or four studs—respectively.
2. Mark the screw holes on the wood hanger (F). Ensure that the holes are in line with the wall studs. Then drill holes on each of the marks.
3. Using a power tool, attach the wood hanger (F) to the wall with lag screws and flat washers (G). Ensure that the screws are secure in the studs.

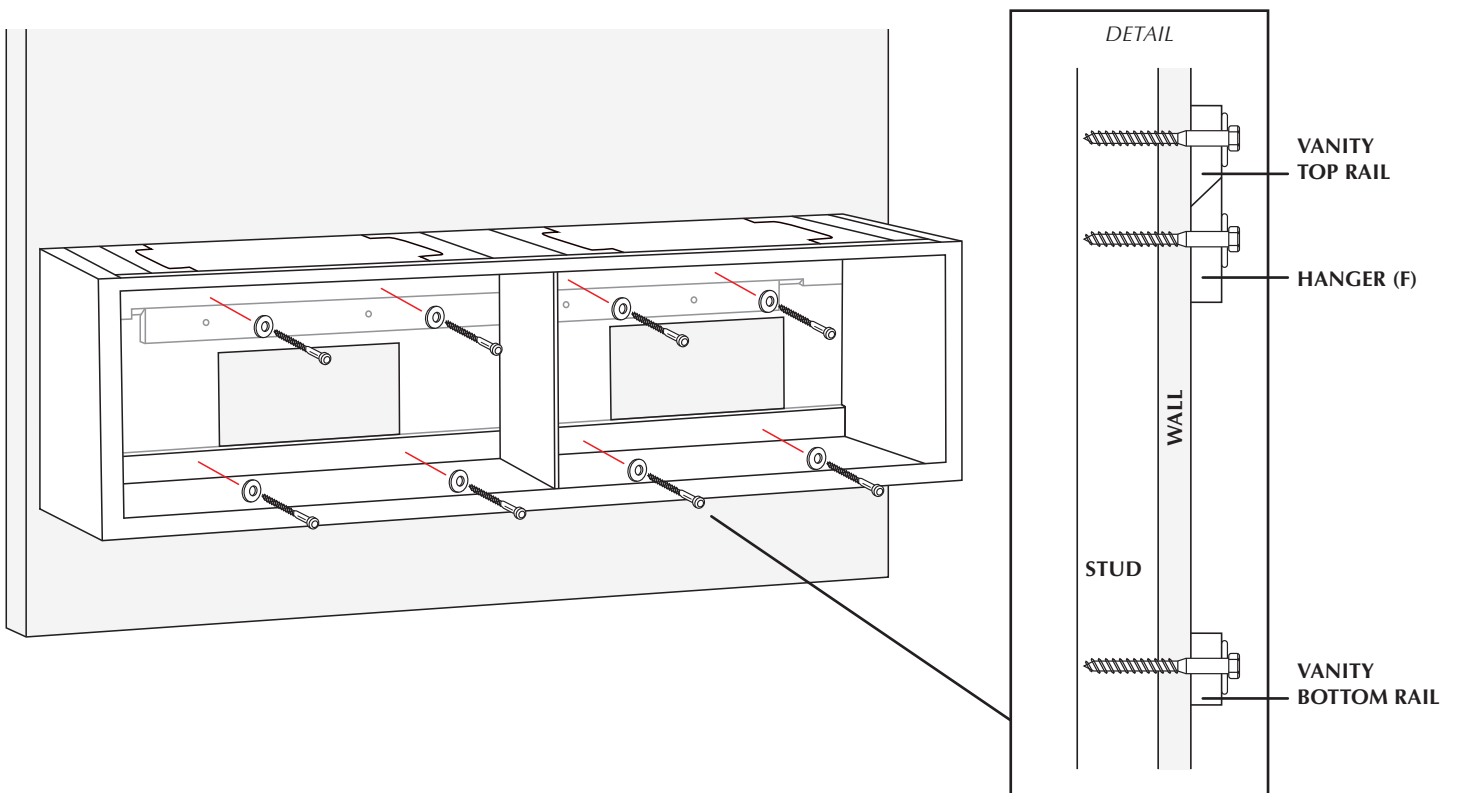


INSTALLATION INSTRUCTIONS *continued*

4. Remove the drawers from the vanity base (D). Then, holding the vanity base in place with two people, hang it on the wood hanger (F) until the vanity base is also screwed into the studs.

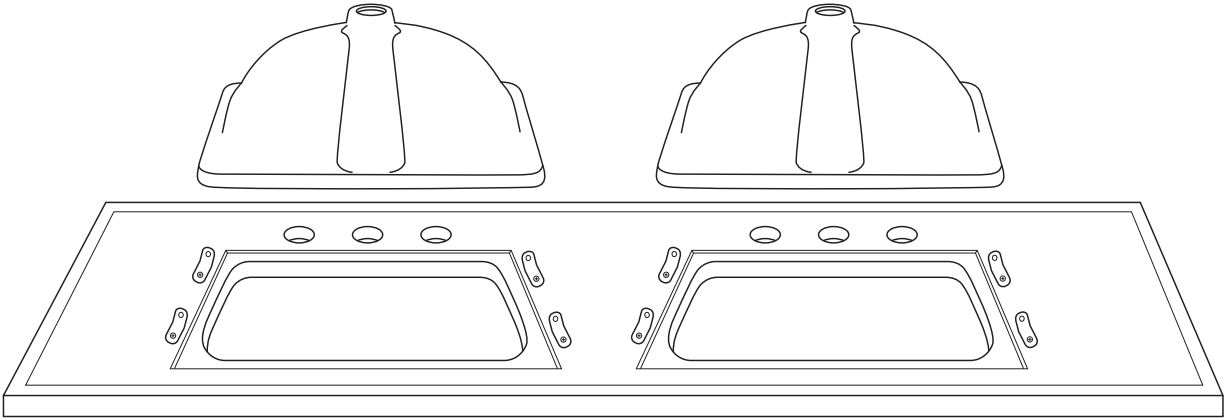


5. While holding the vanity base (D) in place, a third person must mark screw placements on the top and bottom rails in the back of the vanity, ensuring that they are in line with the screws in the wood hanger and aligned with the studs. Once completed, drill guide holes and secure the vanity to the wall with lag screws and flat washers (G) using a power tool.

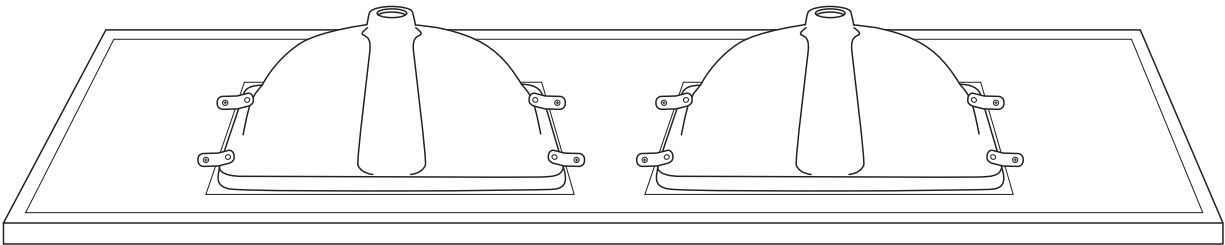


INSTALLATION INSTRUCTIONS *continued*

6. **Two people, three for double sink tops,** must lift the countertop (A) and carefully place it upside down on a flat, non-abrasive surface to install the sink (C).



7. Apply a continuous bead of sealant to the top surface of the sink's rim, where it will come into contact with the underside of the countertop.
8. Place the sinks (C) in the cutout of the countertop, using preinstalled "L" bracket hardware (E) to secure the sink to the countertop. See the illustration for reference. The overflow of the sinks should be on the opposite side of the pre-drilled faucet holes on the countertop (facing toward the vanity). Using a Phillips head screwdriver, make sure that the sink is securely attached to the countertop. **Disclaimer: Do not over-tighten.**



9. **Two people, three for double sink tops,** must lift the countertop (A) and carefully place it positioned on top of the vanity base (D). See page 6 for more details.

10. Apply silicone sealant to the bottom and back of the backsplash (B), then attach it to the wall and countertop.

INSTALLING COUNTERTOP

Always use a two-person crew, as the assistance of a second person lessens the likelihood of breaking or chipping the top. A three-person crew is recommended for double sink tops.

Disclaimer: Installation between two walls requires special care. Made Goods is not liable for any damage during installation.

Specific instructions for installation between two walls:

- Set the top on its edge at the back of the vanity base.
- Lower the front of the top to the vanity base, ensuring that both ends come down at the same rate.
- Do not shimmy, twist, or turn the top as it's lowered, as doing so has a risk of breakage.

