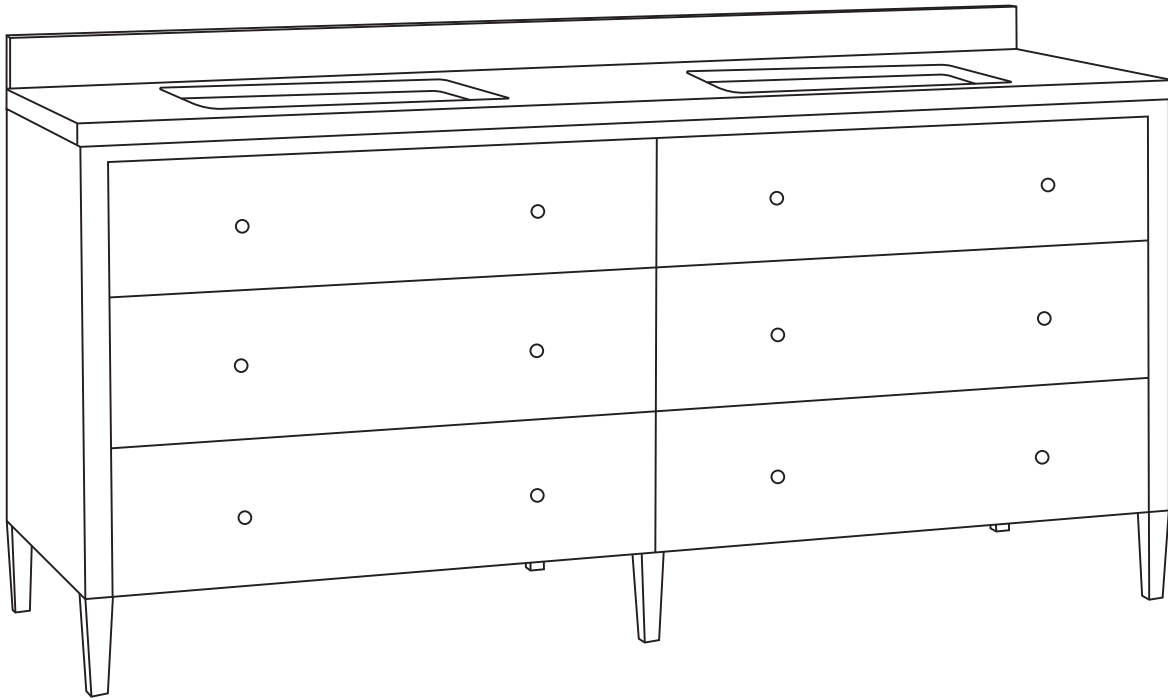




MADE GOODS

FREESTANDING VANITY INSTALLATION INSTRUCTIONS

28", 36", 48", 60", & 72" SIZE VANITIES



BEFORE BEGINNING INSTALLATION

Keep in mind that professional installation is required for this item. The wall and floor should be square. Plumb at the installation site. Water supply and drain piping are to be installed in accordance with local building and plumbing codes.

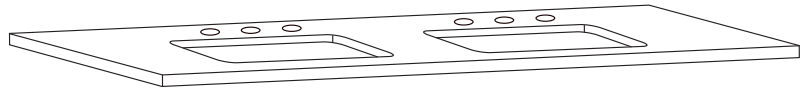
Tools and Materials Required:

Flat, nonabrasive work surface such as a blanket or smooth cardboard
Phillips head screwdriver
Sealant

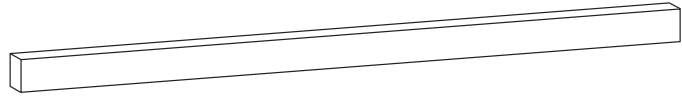
PARTS LIST

Disclaimer: Countertops, sinks, and vanity bases are shipped separately.

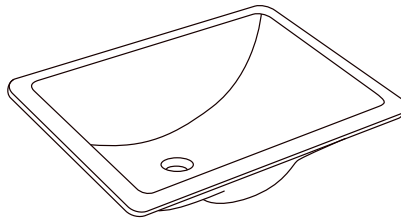
- Countertop (A) – sold separately



- Backsplash (B) – sold with countertop



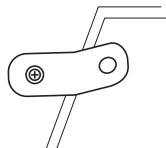
- Sink (C)
 - 28-48", x1 sink
 - 60-72", x2 sink



- Vanity Base (D)

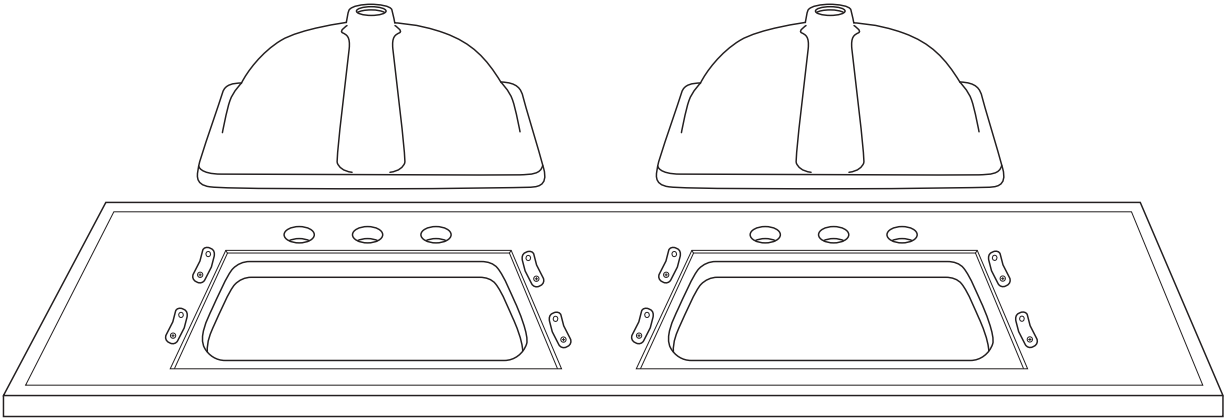


- "L" Bracket (E)
 - Includes screw and washer (preinstalled)

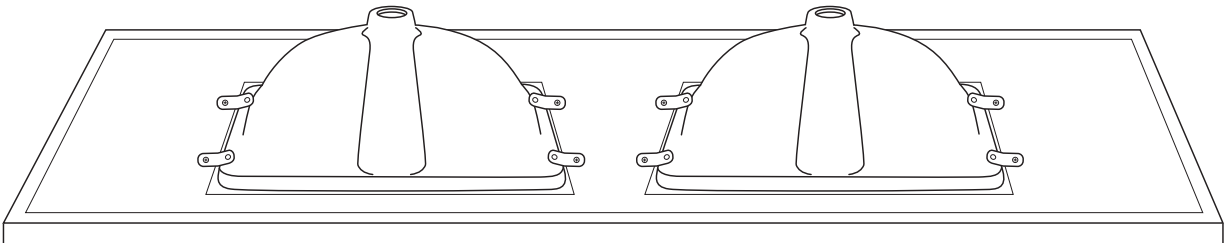


INSTALLATION INSTRUCTIONS

1. **Two people, three for double sink tops,** must lift the countertop (A) and carefully place it upside down on a flat, non-abrasive surface to install the sink (C).



2. Apply a continuous bead of sealant to the top surface of the sink's rim, where it will come into contact with the underside of the countertop.
3. Place the sinks (C) in the cutout of the countertop, using preinstalled "L" bracket hardware (E) to secure the sink to the countertop. See the illustration for reference. The overflow of the sinks should be on the opposite side of the pre-drilled faucet holes on the countertop (facing toward the vanity). Using a Phillips head screwdriver, make sure that the sink is securely attached to the countertop. **Disclaimer: Do not over-tighten.**



4. **Two people, three for double sink tops,** must lift the countertop (A) and carefully place it positioned on top of the vanity base (D). See page 4 for more details.

10. Apply silicone sealant to the bottom and back of the backsplash (B), then attach it to the wall and countertop.

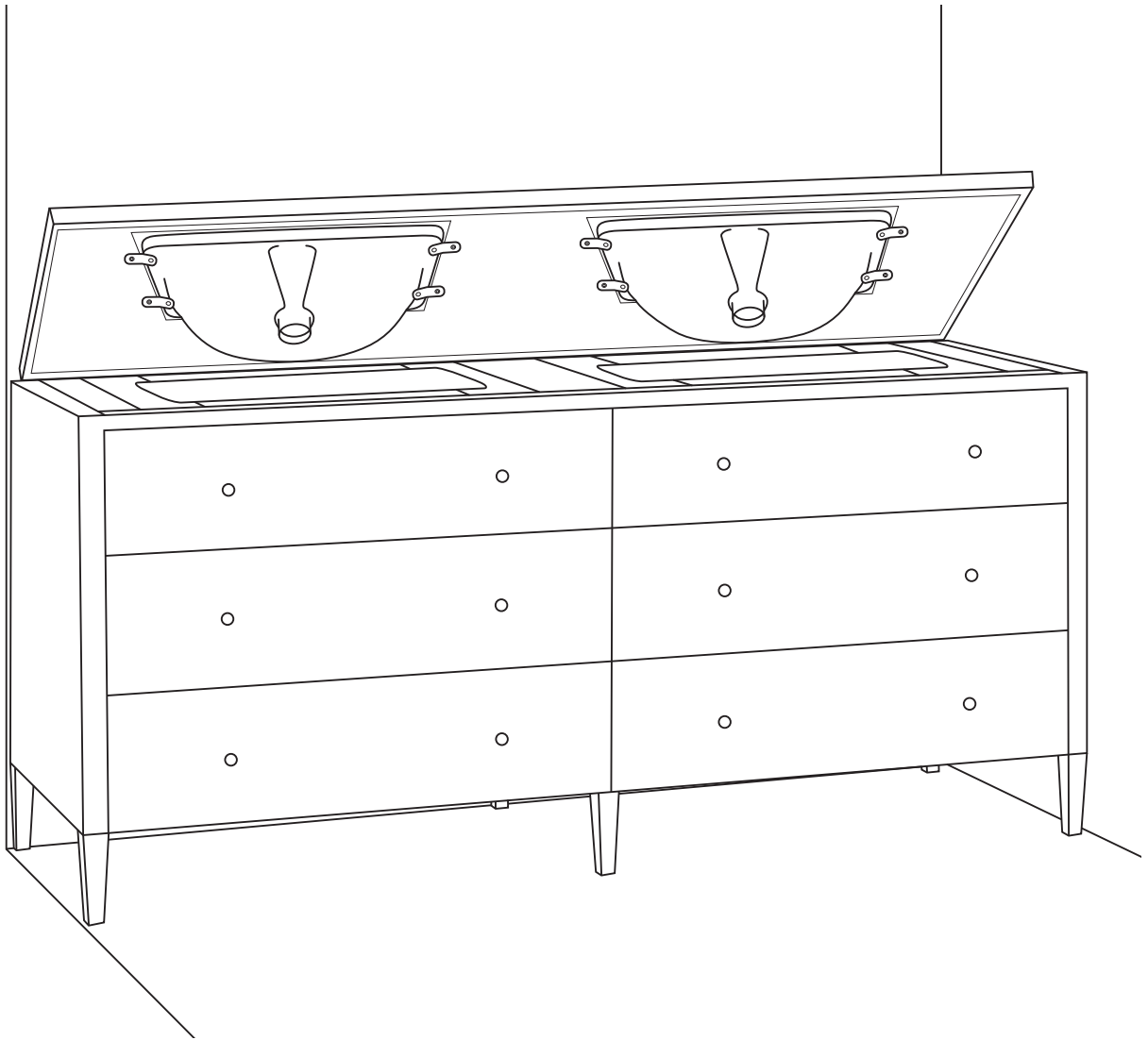
INSTALLING COUNTERTOP

Always use a two-person crew, as the assistance of a second person lessens the likelihood of breaking or chipping the top. A three-person crew is recommended for double sink tops.

Disclaimer: Installation between two walls requires special care. Made Goods is not liable for any damage during installation.

Specific instructions for installation between two walls:

- Set the top on its edge at the back of the vanity base.
- Lower the front of the top to the vanity base, ensuring that both ends come down at the same rate.
- Do not shimmy, twist, or turn the top as it's lowered, as doing so has a risk of breakage.

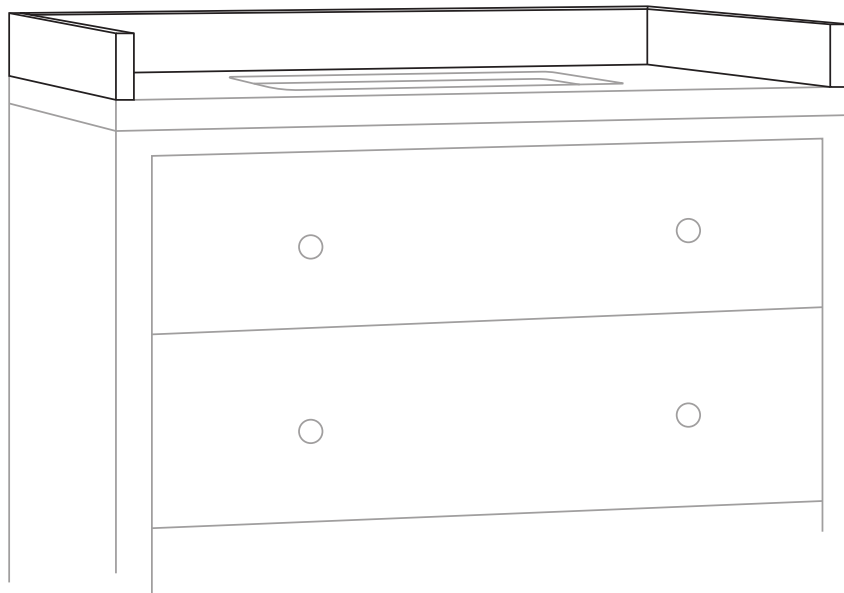




MADE GOODS

3-PIECE BACKSPLASH & SIDESPLASHES INSTALLATION INSTRUCTIONS

28", 36", 48", 60", & 72" SIZE MADE GOODS VANITY COUNTERTOPS



BEFORE BEGINNING INSTALLATION

Installation by a licensed contractor and plumber is recommended. Made Goods delivery service does not include installation.

Tools and Materials Required:

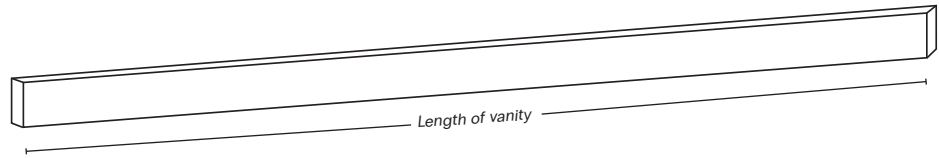
Siliconized acrylic caulk

PARTS LIST

Note: The length of the backsplash varies depending on the length selected for your Made Goods vanity countertop.

· Backsplash (A)

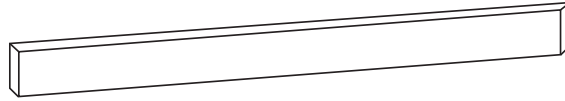
L x 0.75"W (marble)/1"W (burl resin) x 3"H



· Left Sidesplash (B)

22"L x 0.75"W (marble)/1"W (burl resin) x 3"H (28" powder room vanity)

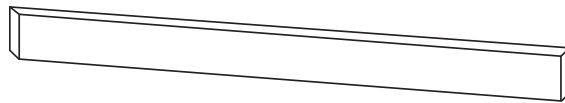
24"L x 0.75"W (marble)/1"W (burl resin) x 3"H (all other size vanities)



· Right Sidesplash (C)

22"L x 0.75"W (marble)/1"W (burl resin) x 3"H (28" powder room vanity)

24"L x 0.75"W (marble)/1"W (burl resin) x 3"H (all other size vanities)



INSTALLATION INSTRUCTIONS

1. Ensure the vanity top is level by placing a level across the surface.
2. Position the backsplash (A) and sidesplashes (B,C) on the vanity countertop, flush against the finished wall.
3. Align the mitered joints of the backsplash (A) and sidesplashes (B,C) with the sides of the vanity top.
4. Apply a thin bead of siliconized acrylic caulk to the back of the backsplash (A) and sidesplashes (B,C). Carefully place them against the wall and press gently to secure. **Wipe away any excess compound.**
5. Seal the bottom edge of the backsplash (A) and sidesplashes (B,C) by applying a thin bead of siliconized acrylic caulk. **Allow 24 hours to dry completely.**

Note: Sidesplashes are cut and polished for installation on both the left and right sides.

