

**BUILD IT
YOUR WAY**
EXPLORE OUR
FABRIC OPTIONS



ISLA DINING CHAIR

Our Isla dining chair's sleek wingback frame is casual yet refined in finely woven rattan. Rounded legs and a rounded X-stretcher are covered in peeled rattan that adds contrasting texture. A removable upholstered seat cushion—customizable to your liking in one of our luxe fabrics—provides perfect comfort. Shown in Aisek White. In-stock upholstered pieces have a 2-3 week lead time.

MATERIAL

Peeled Rattan

DIMENSIONS

22"W x 24"D x 36"H

Seat Depth: 17.75"

Seat Height: 21"

Seat Height (without upholstery): 19"

Cushion height may vary from 1/2 to 1 inch

UPHOLSTERY INFORMATION

Types of Fabric: Can be upholstered with our fabric/ leather options or COM/COL.

COM YARDAGE REQUIREMENT

Solid: Requires 1 Yard

Pattern: Yardage amount may vary depending on pattern orientation and pattern repeat. Please call for quote.

WEIGHT

20 lbs

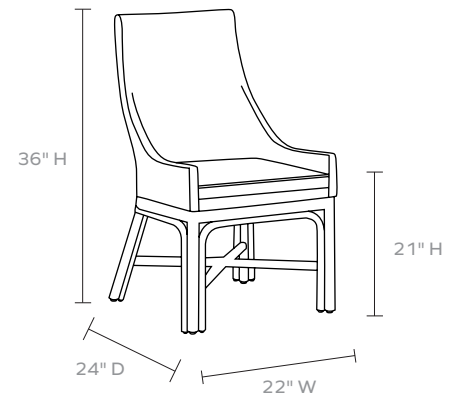
This item is handcrafted and may show slight variation in size from one piece to another.



FINISH



Natural



FABRIC WIDTH	FABRIC REPEAT						
	Plain < 1"	1" - 6"	7" - 14"	15" - 20"	21" - 27"	28" - 36"	Full Width Centered
54"	0%	15%	30%	35%	40%	45%	100%