

**BUILD IT
YOUR WAY**
EXPLORE OUR
FABRIC OPTIONS



MIA BENCH

The Mia collection highlights the beauty of mixing materials, a hallmark of Made Goods' design. Delicately hand-antiqued mirror is the focus material, creating a warm, interesting base to build upon. Shown in Basaac Sand and Aisek White. In-stock upholstered pieces have a 4-6 week lead time.

MATERIAL

Mirror/Oak

DIMENSIONS

A. 24"L x 16"D x 21"H

B. 48"L x 16"D x 21"H

UPHOLSTERY INFORMATION

Types of Fabric: Can be upholstered with our fabric/leather options or COM/COL.

COM YARDAGE REQUIREMENT

A. Solid: Requires 2 Yards

B. Solid: Requires 3 Yards

Pattern: Yardage amount may vary depending on pattern orientation and pattern repeat. Please call for quote.

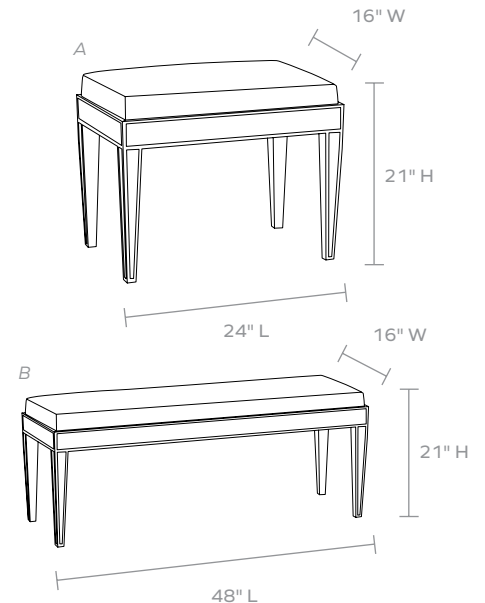
This item is handcrafted and may show slight variation in size from one piece to another.



BASE FINISH



Antiqued/Palladian Silver



| FABRIC WIDTH | FABRIC REPEAT | | | | | | |
|--------------|------------------|----------------|-----------------|------------------|------------------|------------------|--------------------------------|
| 54" | Plain < 1" 0% | 1" - 6" 15% | 7" - 14" 30% | 15" - 20" 35% | 21" - 27" 40% | 28" - 36" 45% | Full Width Centered 100% |