

**BUILD IT
YOUR WAY**
EXPLORE OUR
FABRIC OPTIONS



NELTON

Framed around the edges in either high gloss White or Cerused oak, we worked on the proportions of our Nelton until they projected just the right level of modernism in a timeless design. Shown in Liard Gray. In-stock upholstered pieces have a 6-8 week lead time.

DIMENSIONS

Overall: 19"W x 23"D x 37"H
 Seat Depth: 18"
 Seat Height: 19"
 Seat Height (without cushion): 16"
 Cushion height may vary from 1/2 to 1 inch

UPHOLSTERY INFORMATION

Types of Fabric: Can be upholstered with our fabric/ leather options* or COM/COL.

COM YARDAGE REQUIREMENT

Solid: Requires 2 Yards of fabric
 Pattern: Yardage amount may vary depending on pattern orientation and pattern repeat. Please call for quote.

WEIGHT

18 lbs
 This item is handcrafted and may show slight variation in size from one piece to another.

*Not available in Julian and Marano.



FINISHES & MATERIALS



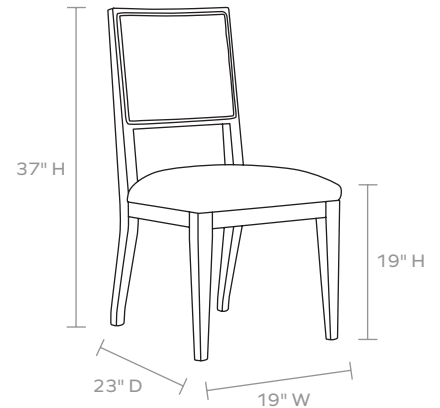
Cerused White Oak



Dark Gray Oak



Glossy White Wood



FABRIC WIDTH	FABRIC REPEAT						
54"	Plain < 1" 0%	1" - 6" 15%	7" - 14" 30%	15" - 20" 35%	21" - 27" 40%	28" - 36" 45%	Full Width Centered 100%