

**BUILD IT
YOUR WAY**
EXPLORE OUR
FABRIC OPTIONS



SALEM

Salem is an unexpected mix of Scandinavian minimalism and traditional French country style. Generously cushioned for maximum comfort, this upholstered chair's curving seatback is tempered by its sleek seat and legs. Frames are available in cerused white oak, dark gray wood, or glossy white wood. Customize your design with one of our luxe upholstery fabrics. In-stock upholstered pieces have a 6-8 week lead time.

MATERIAL

Oak, Wood

DIMENSIONS

16"W x 24"D x 38"H

Seat Depth: 18"

Seat Height: 19"

Cushion height may vary from 1/2 to 1 inch.

UPHOLSTERY INFORMATION

Types of Fabric: Can be upholstered with our fabric/leather options or COM/COL.

COM YARDAGE REQUIREMENT

Solid: Requires 2 Yards

Pattern: Yardage amount may vary depending on pattern orientation and pattern repeat. Please call for quote.

WEIGHT

17 lbs

This item is handcrafted and may show slight variation in size from one piece to another.



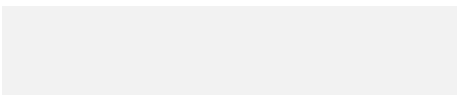
FINISHES



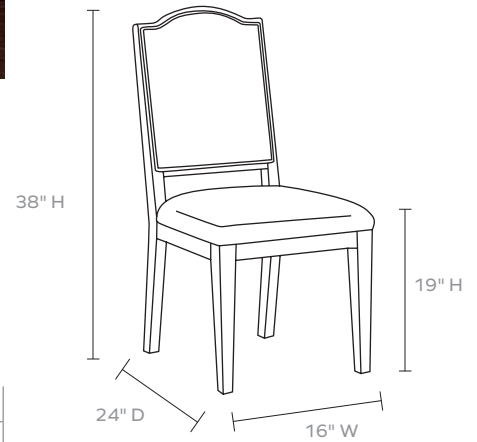
Cerused White



Dark Gray



Glossy White



FABRIC WIDTH	FABRIC REPEAT						
54"	Plain < 1" 0%	1" - 6" 15%	7" - 14" 30%	15" - 20" 35%	21" - 27" 40%	28" - 36" 45%	Full Width Centered 100%