

**BUILD IT  
YOUR WAY**  
EXPLORE OUR  
FABRIC OPTIONS



## SUMMER

A double braid of water hyacinth disciplines the rustic texture of this chair, woven onto a rattan frame and into a back with rounded corners and gently sloping sides. Reinforced with an X-stretcher and topped with a Dacron cushion. Shown in Alsek White. In-stock upholstered pieces have a 6-8 week lead time.

**MATERIAL**

Water Hyacinth

**DIMENSIONS**

23"W x 26"D x 35"H

Arm Height: 20"

Seat Depth: 18"

Seat Height: 19"

Seat Height (without upholstery): 16"

*Cushion height may vary from 1/2 to 1 inch.*

**UPHOLSTERY INFORMATION**

Types of Fabric: Can be upholstered with our fabric/ leather options or COM/COL.

**COM YARDAGE REQUIREMENT**

Solid: Requires 1 Yard

Pattern: Yardage amount may vary depending on pattern orientation and pattern repeat. Please call for quote.

**WEIGHT**

16 lbs

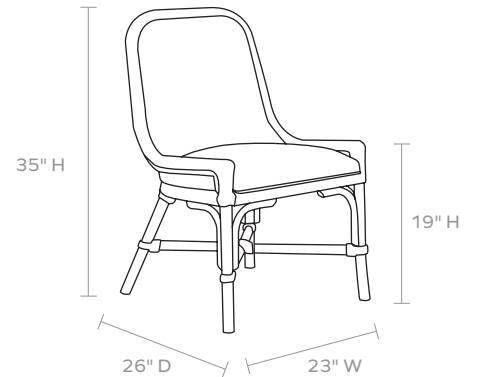
*This item is handcrafted and may show slight variation in size from one piece to another.*



**FINISH**



Natural



FABRIC WIDTH	FABRIC REPEAT						
54"	Plain < 1" 0%	1" - 6" 15%	7" - 14" 30%	15" - 20" 35%	21" - 27" 40%	28" - 36" 45%	Full Width Centered 100%