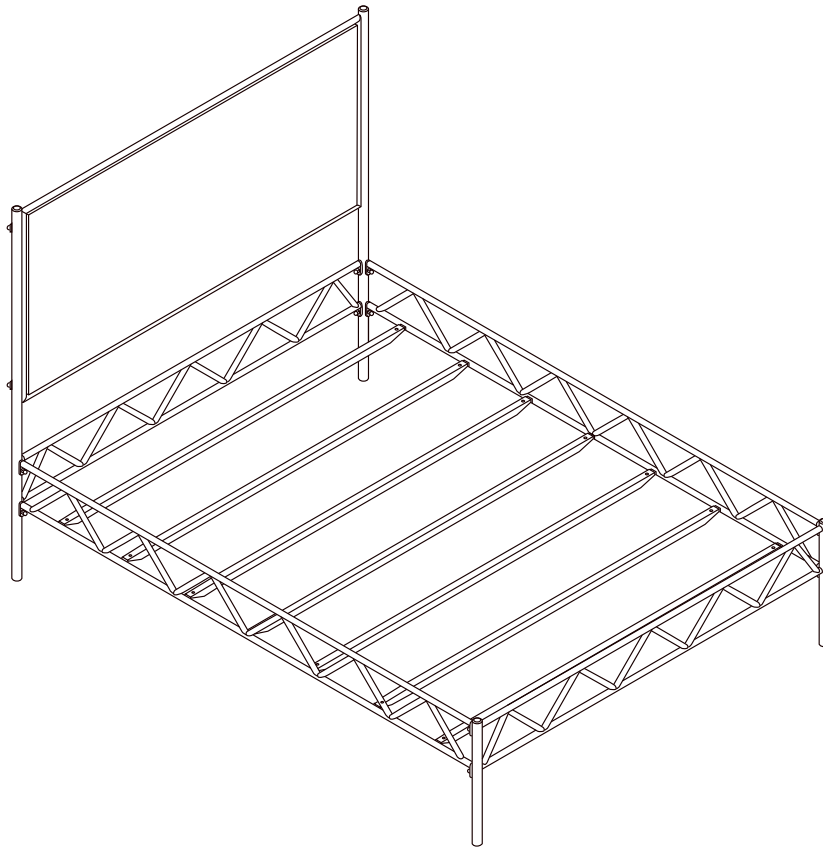




MADE GOODS

BRENNAN BED ASSEMBLY INSTRUCTIONS

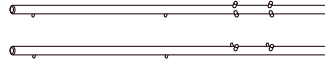


Tools and Materials Required:

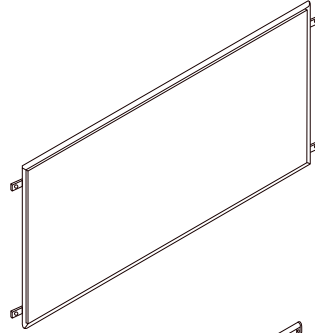
Padded, flat, nonabrasive work surface, such as a blanket

PARTS LIST

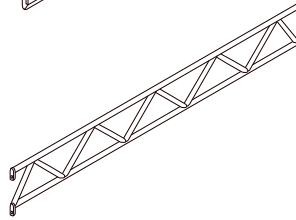
· Headboard Posts (A/B) – 1 ea.



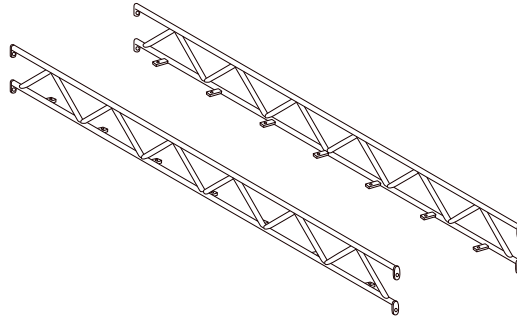
· Headboard (C) – 1



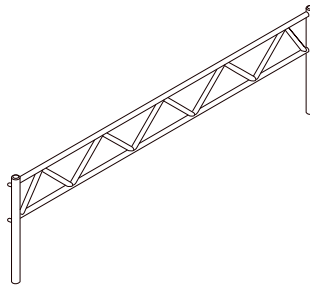
· Head Rail (D) – 1



· Left & Right Side Rails (E) – 1 ea.



· Foot Rail (F) – 1



· Mattress Slats (G) – 7



· Large Cup Nuts & Large Wrench (H) – 12 (Bag AL)



· Small Cup Nuts & Small Wrench (I) – 4 (Bag AS)

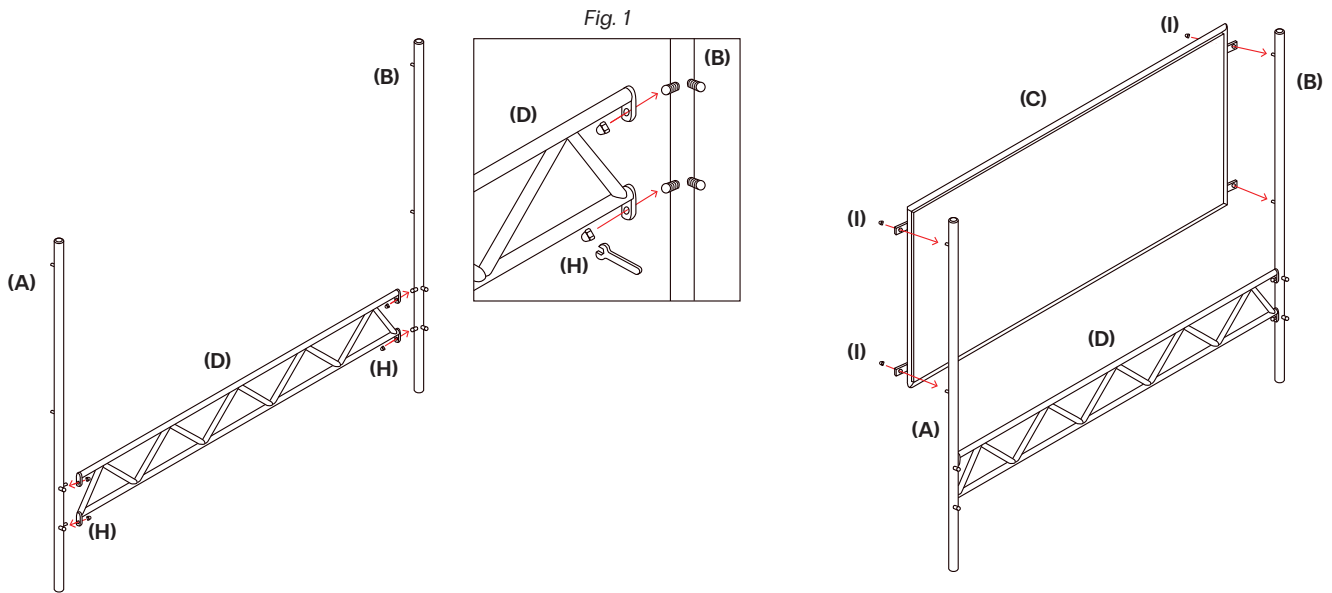


· Machine Screws & Nuts (J) – 14 (Bag SL)

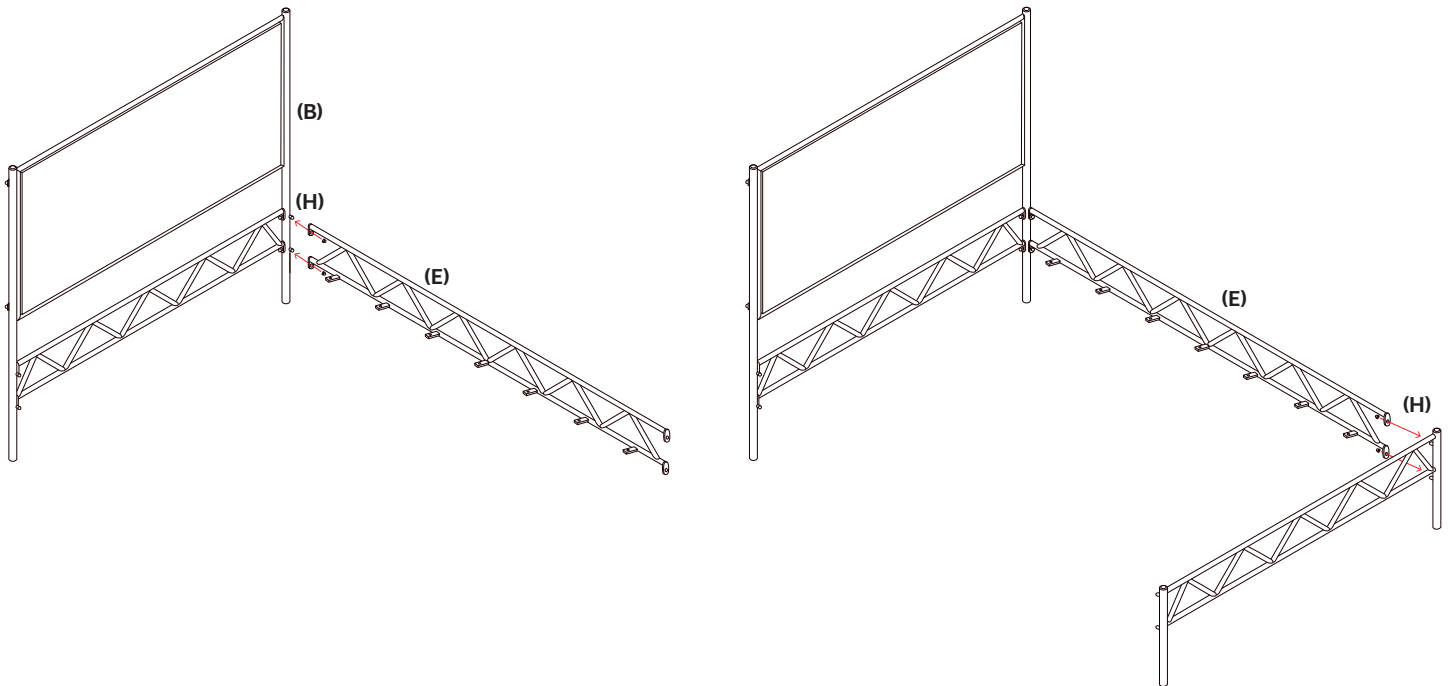


ASSEMBLY INSTRUCTIONS

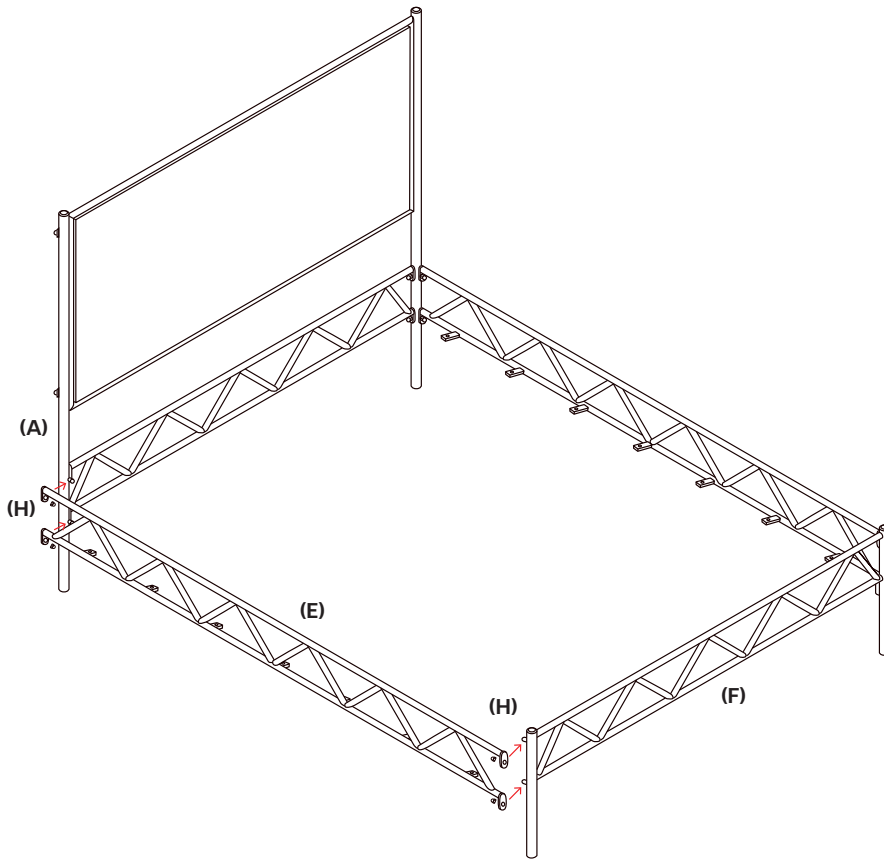
1. Attach headboard posts (A/B) to head rail (D) with large cup nuts (H). Tighten nuts with large wrench (H). (Fig. 1)
2. Attach headboard (C) to headboard posts (A/B) with small cup nuts (I). Tighten nuts with small wrench (I).



3. Attach right side rail (E) to headboard post (B) with large cup nuts (H). Tighten nuts with large wrench (H).
4. Attach foot rail (F) to right side rail (E) with large cup nuts (H). Tighten nuts with large wrench (H).



5. Attach left side rail (E) to headboard post (A) and foot rail (F) with large cup nuts (H). Tighten nuts with large wrench (H).



6. Attach mattress slats (G) to left/right side rails (E) using machine screws and nuts (J). Tighten nuts. (Fig. 2)

