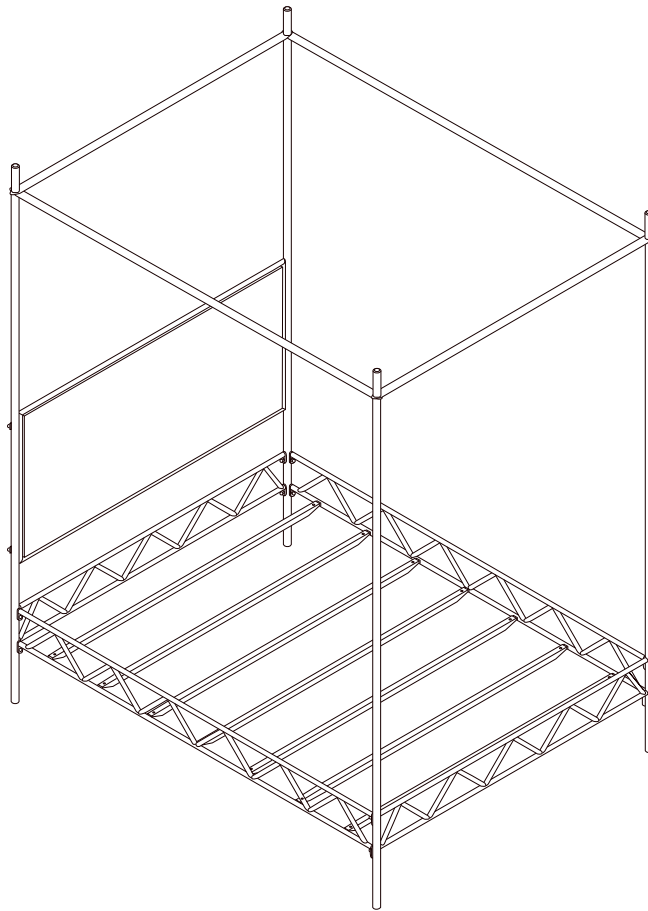




MADE GOODS

BRENNAN TALL & SHORT CANOPY BED ASSEMBLY INSTRUCTIONS



Tools and Materials Required:

Padded, flat, nonabrasive work surface, such as a blanket

PARTS LIST

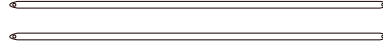
· Headboard Posts (A) – 2



· Footboard Posts (B) – 2



· Side Canopy Rails (C) – 2



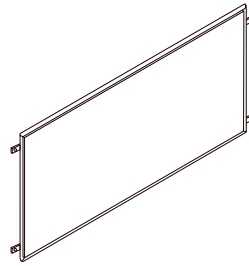
· End Canopy Rails (D) – 2



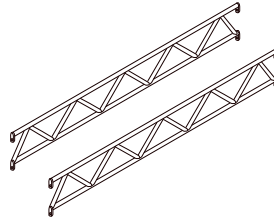
· Finials (E) – 4



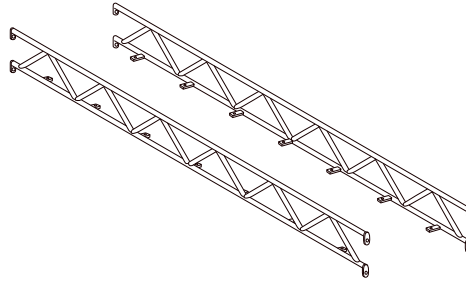
· Headboard (F) – 1



· End Rails (G) – 2



· Left & Right Side Rails (H) – 2



· Mattress Slats (I) – 7



· Large Cup Nuts & Large Wrench (J) – 16



· Small Cup Nuts & Small Wrench (K) – 4

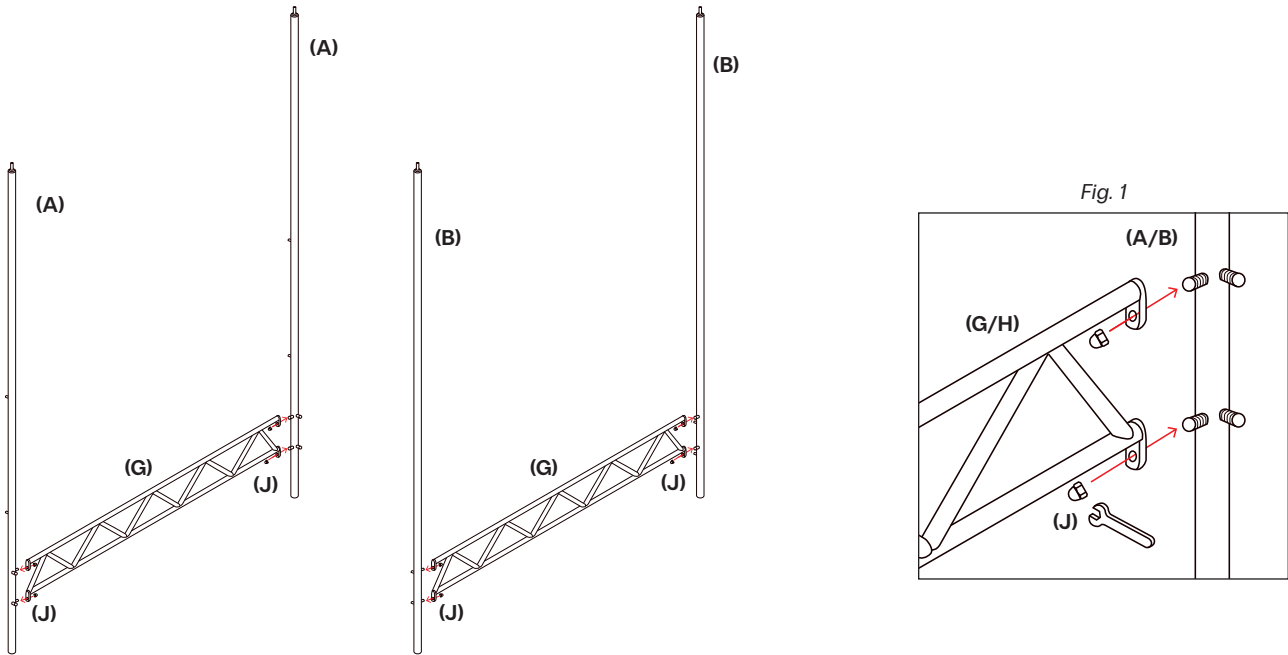


· Machine Screws & Nuts (L) – 14



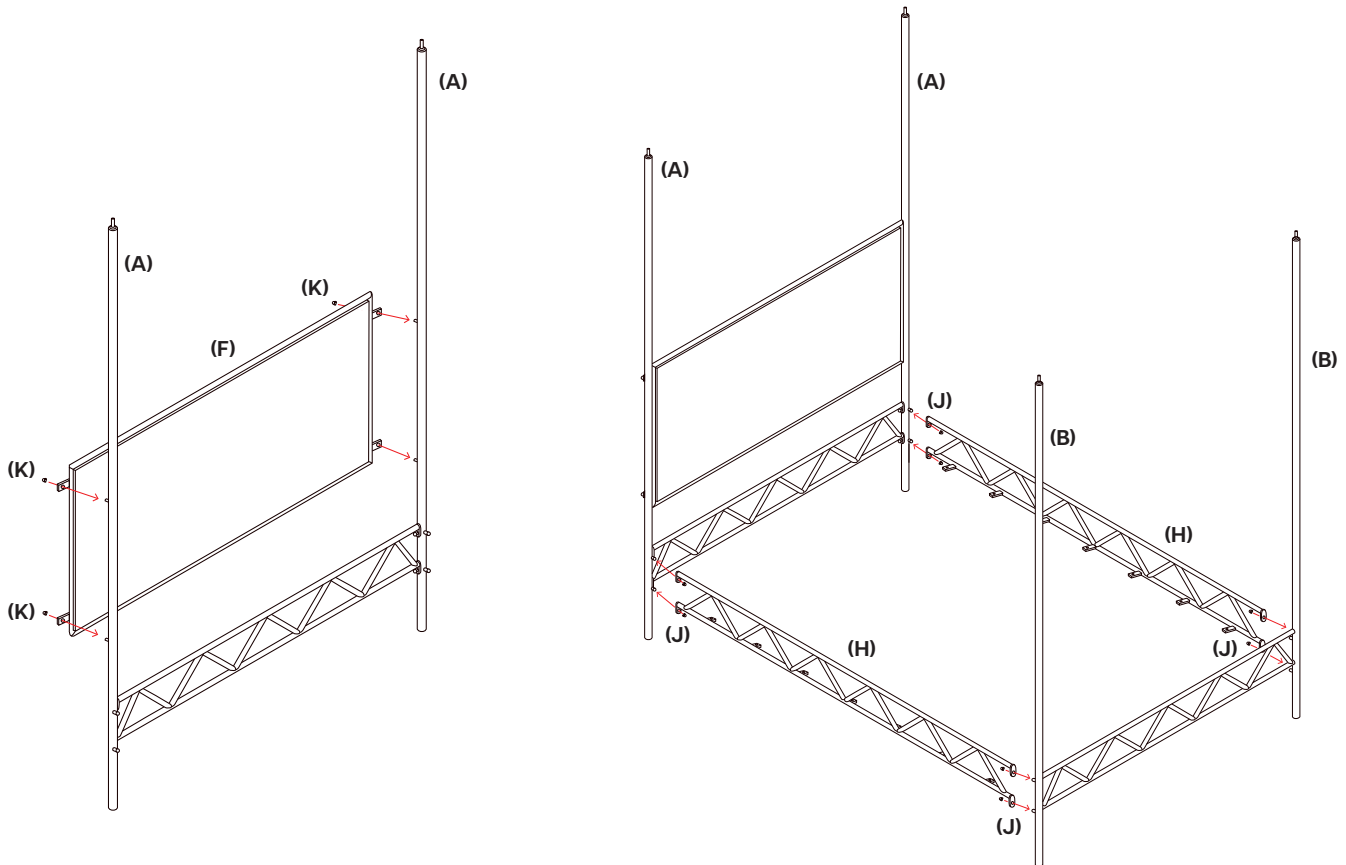
ASSEMBLY INSTRUCTIONS

1. Attach headboard posts (A) and footboard posts (B) to end rails (G) with large cup nuts (J). Tighten nuts with large wrench (J). (Fig. 1)

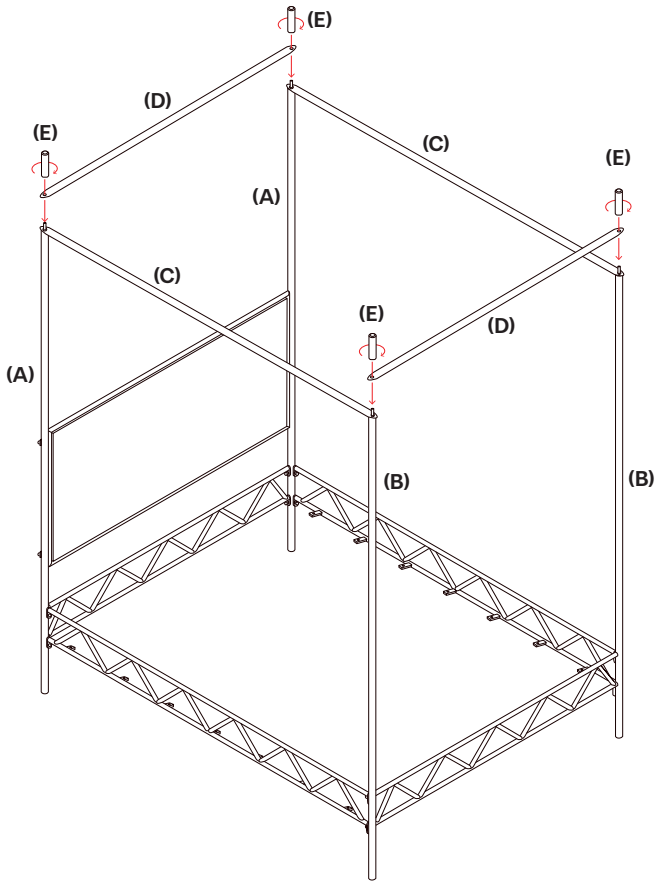


2. Attach headboard (F) to headboard posts (A) with small cup nuts (K). Tighten nuts with small wrench (K).

3. Attach left & right side rails (H) to headboard posts (A) and footboard posts (B) with large cup nuts (J). Tighten nuts with large wrench (J). (Fig. 1)



4. Slide side canopy rails (C) and then end canopy rails (D) onto headboard posts (A) and footboard posts (B). Attach finials (E) to headboard posts (A) and footboard posts (B).



5. Attach mattress slats (I) to left/right side rails (H) using machine screws and nuts (L). Tighten nuts. (Fig. 2)

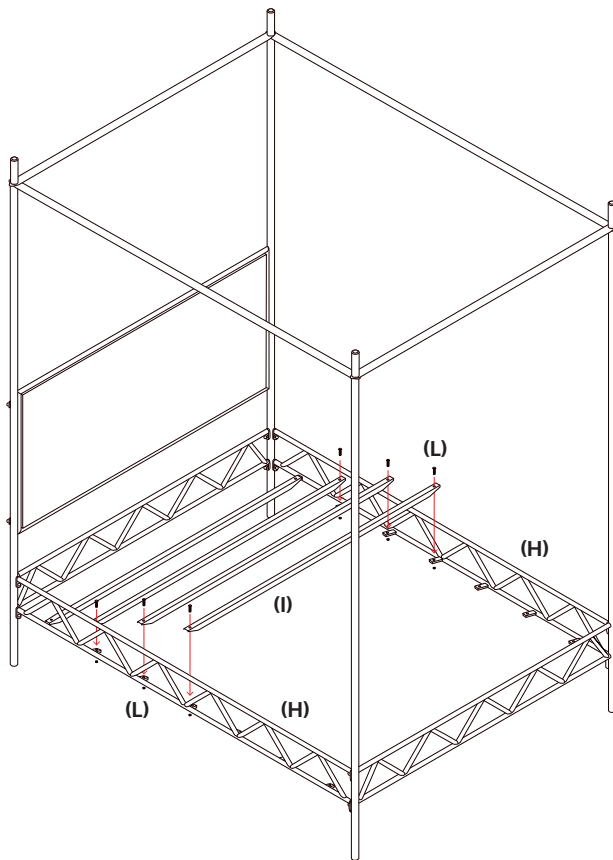


Fig. 2

