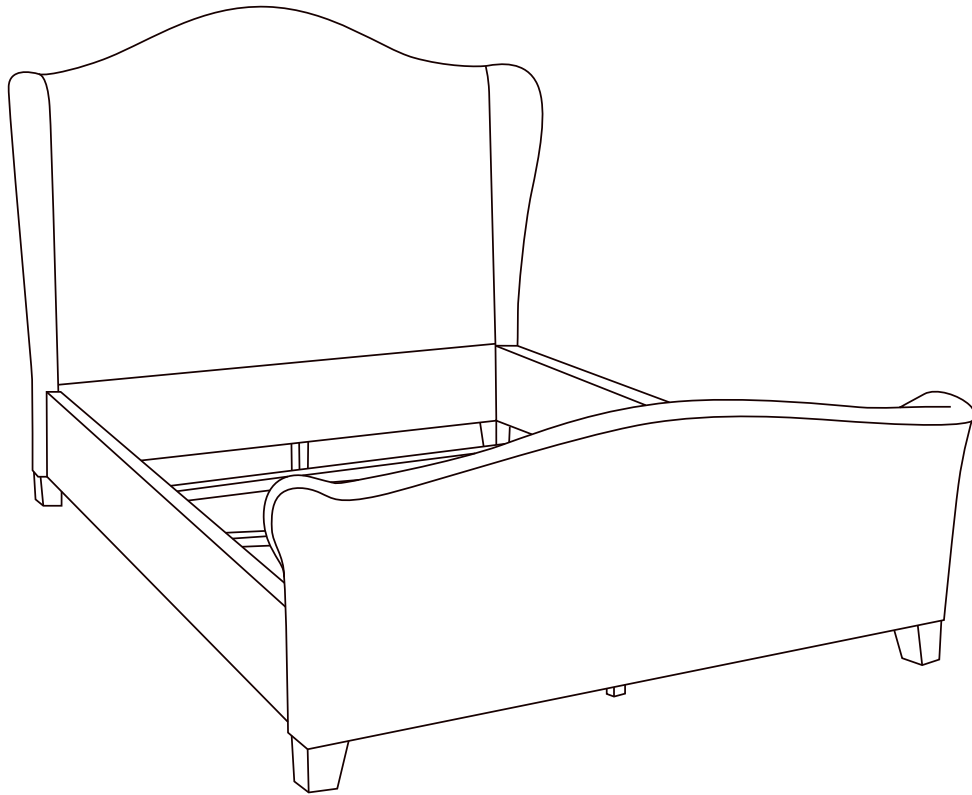




MADE GOODS

BRIANA BED

# ASSEMBLY INSTRUCTIONS



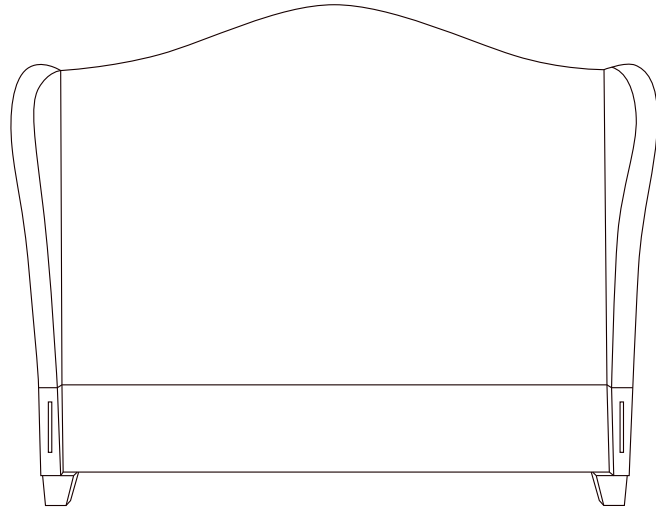
**Tools and Materials Required:**

Padded, flat, nonabrasive work surface such as a blanket

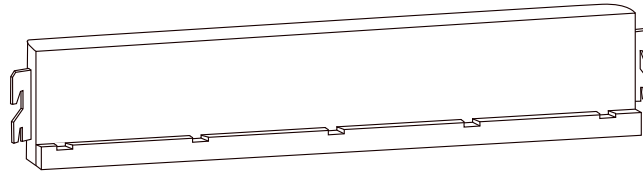
Phillips Screwdriver

## PARTS LIST

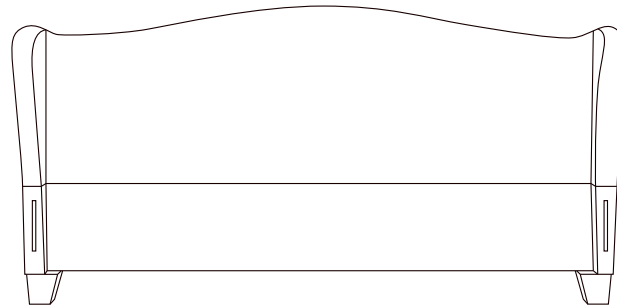
• Headboard (A) – 1



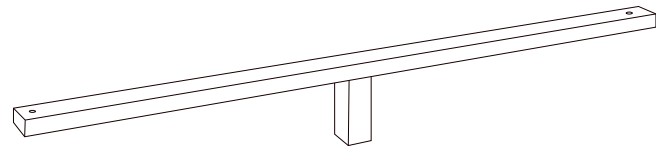
• Side Rail (B) – 2



• Foot board (C) – 1



• Slats (D) – 1



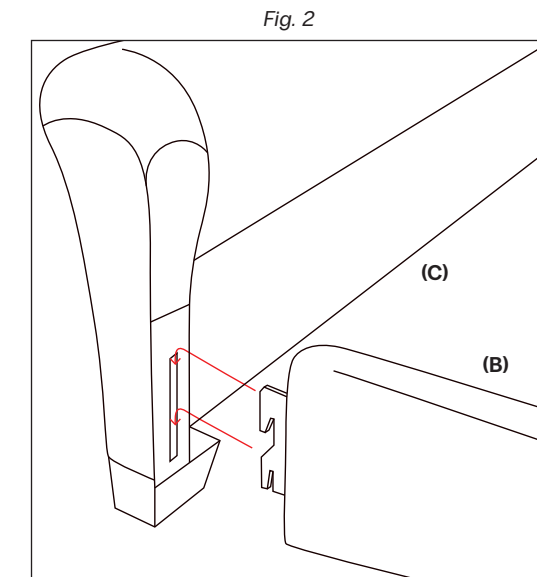
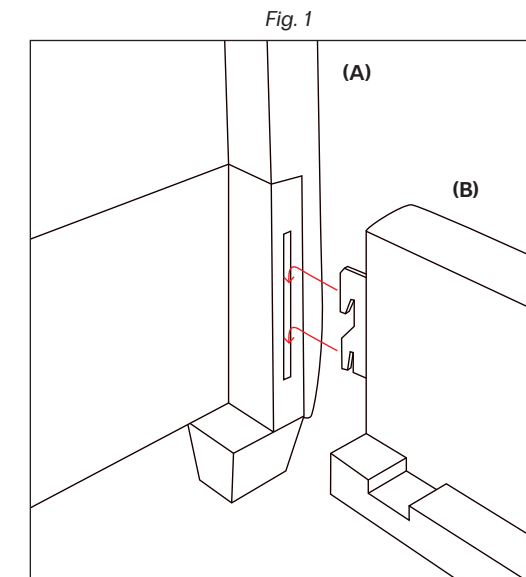
• Screws (E) – 10



## ASSEMBLY INSTRUCTIONS

1. Connect both side rails (B) to headboard (A). (Fig. 1)

2. Connect both side rails to foot board (C). (Fig. 2)



3. Lay slats (D) into grooves of side rails (B). (Fig. 3)

4. Secure slats (D) with screws (E). (Fig. 4)

