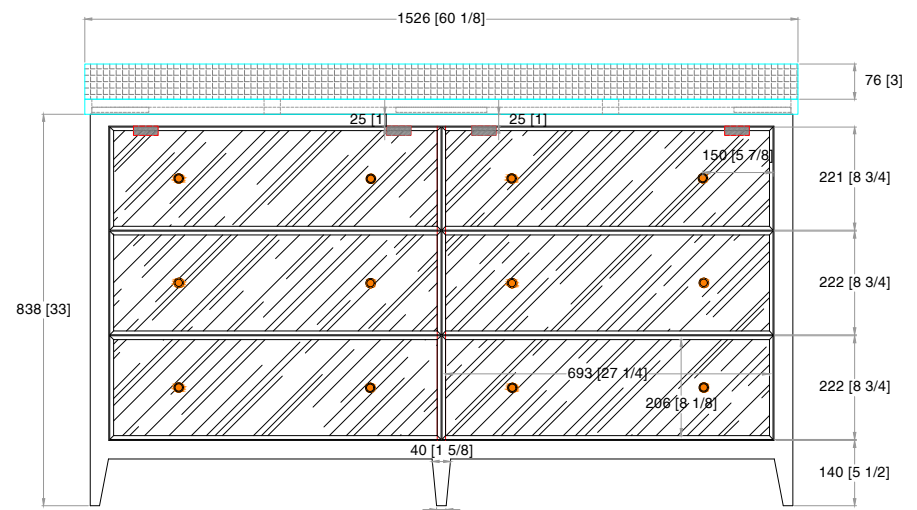
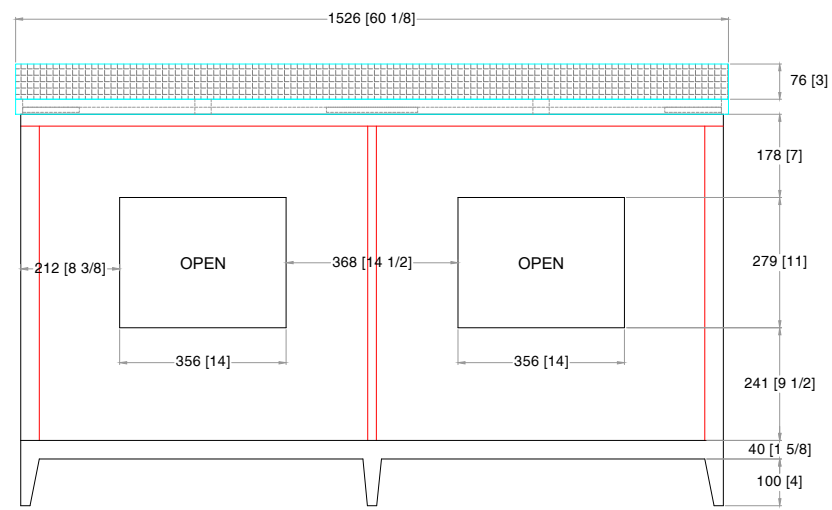


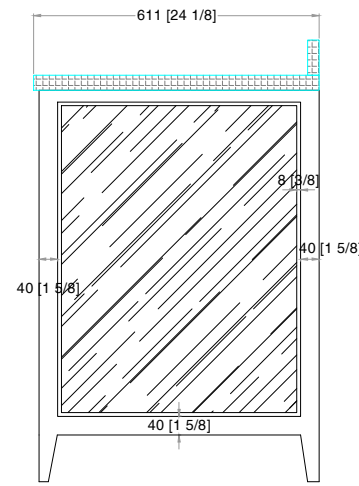
TOP VIEW



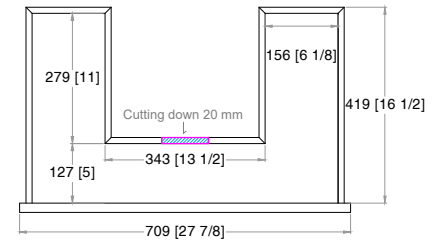
FRONT VIEW



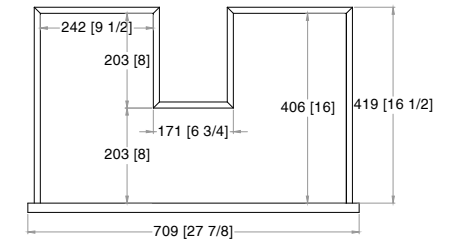
BACK VIEW



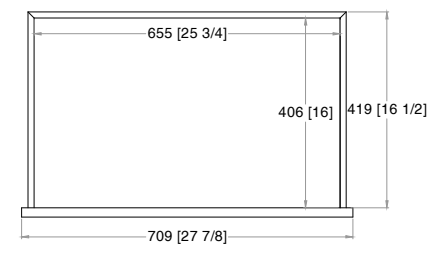
SIDE VIEW



DRAWER 1



DRAWER 2



DRAWER 3